

BEZZERA

Dal 1901

B2016 / WOODY

COD. 9942066

REV. 03 ed.06/17



TABLE 1A
WOODY

POS	CODE	DESCRIPTION
1	5074650LW	BACK HEATING GRILL 1GR
1	5074651LW	BACK HEATING GRILL 2GR
1	5074652LW	BACK HEATING GRILL 3GR
2	5074642LW	CUPS-HEATER GRID 1GR
2	5074637LW	HEATING GRID B2013 2GR
2	5074641LW	HEATING GRILL 3GR
3	5056336LW	CUPS HEATER 1GR
3	5056335LW	CUPS HEATER 2GR
3	5056337LW	CUPS HEATER 3GR
4	5038442LL	SUPPORT BODYWORK 1GR W/COMPASSES
4	5038443LL	SUPPORT BODYWORK 2GR W/COMPASSES
4	5038444LL	SUPPORT BODYWORK 3GR W/COMPASSES
5	5035726LW	BACK CROSS FRAME 3GR
5	5035725LW	BACK CROSS FRAME 1GR
5	5035724LW	BACK CROSS FRAME 2GR
6	5074482SG1	FRONTAL GROUP 1GR SILKSCREENED 0-1-
6	5074480SG1	FRONTAL GROUP B2013 2GR 0-1-2
6	5074484SG1	FRONTAL GROUP 3GR SILKSCREENED
7	7819901	SCREW TTEI M4X12 ISO 7380 A2 INOX
8	5094882LL	FRONTAL WORK B2016 DE 1GR W/COMPASS
8	5094881LL	FRONTAL WORK B2016 DE 2GR W/COMPASS
8	5094883LL	B2016 FRONTAL WORK DE 3GR W/COMPASS
9	5074638.01LW	GRID RAISES COFFEE CUPS
10	5074639.01LW	DRAINING GRID 1GR BF
10	5074636.01LW	DRAINING GRID B2013 2GR BF
10	5074640.01LW	DRIP TRAY GRID 3GR
11	5968128	ASSY TRAY 1GR
11	5968129	ASSY TRAY 2GR
11	5968130	ASSY TRAY 3GR
12	7471204	MAGNET

TABLE 1A
WOODY

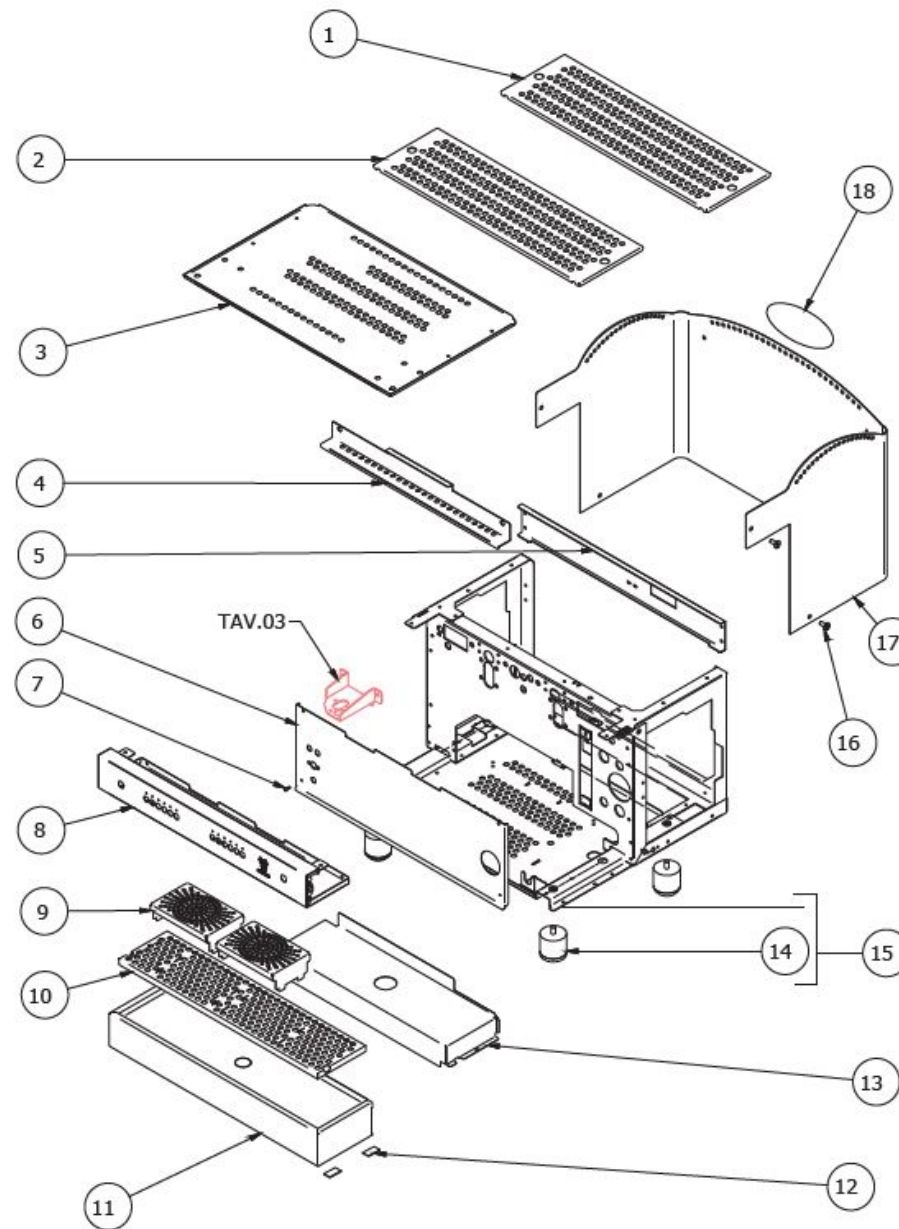


TABLE 1A
WOODY

POS	CODE	DESCRIPTION
13	5053032LW	COVERING TRAY 1GR INOX
13	5053033LW	B2013 2GR.STAINLESS COVERING BASIN
13	5053034LW	COVERING TRAY 3GR INOX
14	7474215	FEET
15	5964671	ASSY CHASSIS 1GR
15	5964672	ASSY CHASSIS 2GR
15	5964673	ASSY CHASSIS 3GR
16	5227003NE	SCREW M8 X 18 OT NICKEL-PLATED
17	5011719LW-YE	BODYWORK 2GR SPECIAL WHITE
17	5011720LW-YE	BODYWORK 3GR SPECIAL WHITE
17	5011718LW-YE	BODYWORK 1GR SPECIAL WHITE
18	5521525	GOLDEN LABEL SNAKE MILANO ITALY

TABLE 1A
WOODY

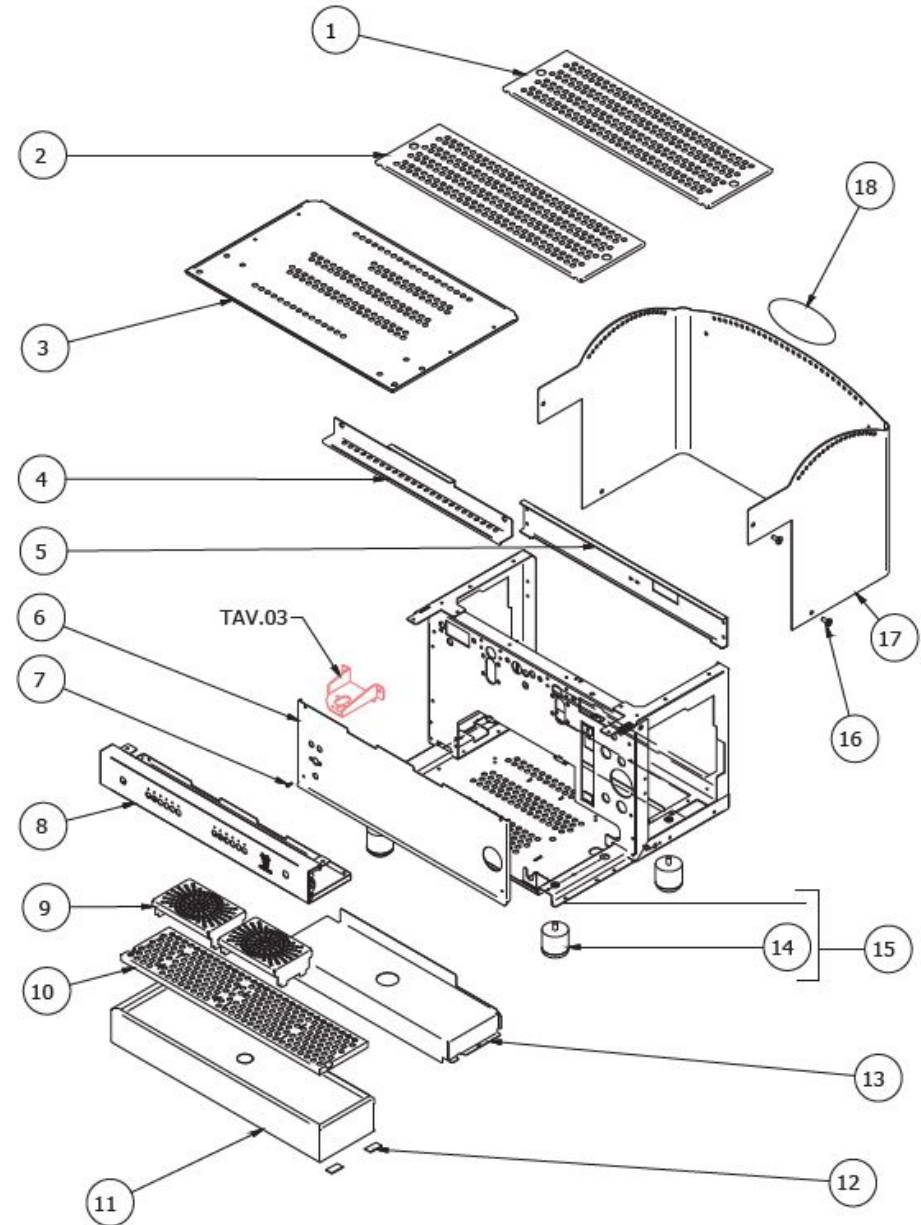


TABLE 1
B2016

POS	CODE	DESCRIPTION
1	5074651LW	BACK HEATING GRILL 2GR
1	5074652LW	BACK HEATING GRILL 3GR
1	5074650LW	BACK HEATING GRILL 1GR
2	5074642LW	CUPS-HEATER GRID 1GR
2	5074637LW	HEATING GRID B2013 2GR
2	5074641LW	HEATING GRILL 3GR
3	5056336LW	CUPS HEATER 1GR
3	5056335LW	CUPS HEATER 2GR
3	5056337LW	CUPS HEATER 3GR
4	5038442LL	SUPPORT BODYWORK 1GR W/COMPASSES
4	5038443LL	SUPPORT BODYWORK 2GR W/COMPASSES
4	5038444LL	SUPPORT BODYWORK 3GR W/COMPASSES
5	5035725LW	BACK CROSS FRAME 1GR
5	5035724LW	BACK CROSS FRAME 2GR
5	5035726LW	BACK CROSS FRAME 3GR
6	5074482SG1	FRONTAL GROUP 1GR
6	5074480SG1	FRONTAL GROUP 2GR
6	5074484SG1	FRONTAL GROUP 3GR
7	7819901	SCREW TTEI M4X12 ISO 7380 A2 INOX
8	5094882LL	FRONTAL WORK B2016 DE 1GR W/COMPASS
8	5094881LL	FRONTAL WORK B2016 DE 2GR W/COMPASS
8	5094883LL	B2016 FRONTAL WORK DE 3GR W/COMPASS
9	5074638.01LW	GRID RAISES COFFEE CUPS
10	5074639.01LW	DRAINING GRID 1GR BF
10	5074636.01LW	DRAINING GRID B2013 2GR BF
10	5074640.01LW	DRIP TRAY GRID 3GR
11	5968111.02	ASSY TRAY 1GR LOGO+MAGNET
11	5968110.02	ASSY TRAY 2GR LOGO+MAGNET
11	5968117.02	ASSY TRAY 3GR LOGO+MAGNET
12	7471204	MAGNET

TABLE 1
B2016

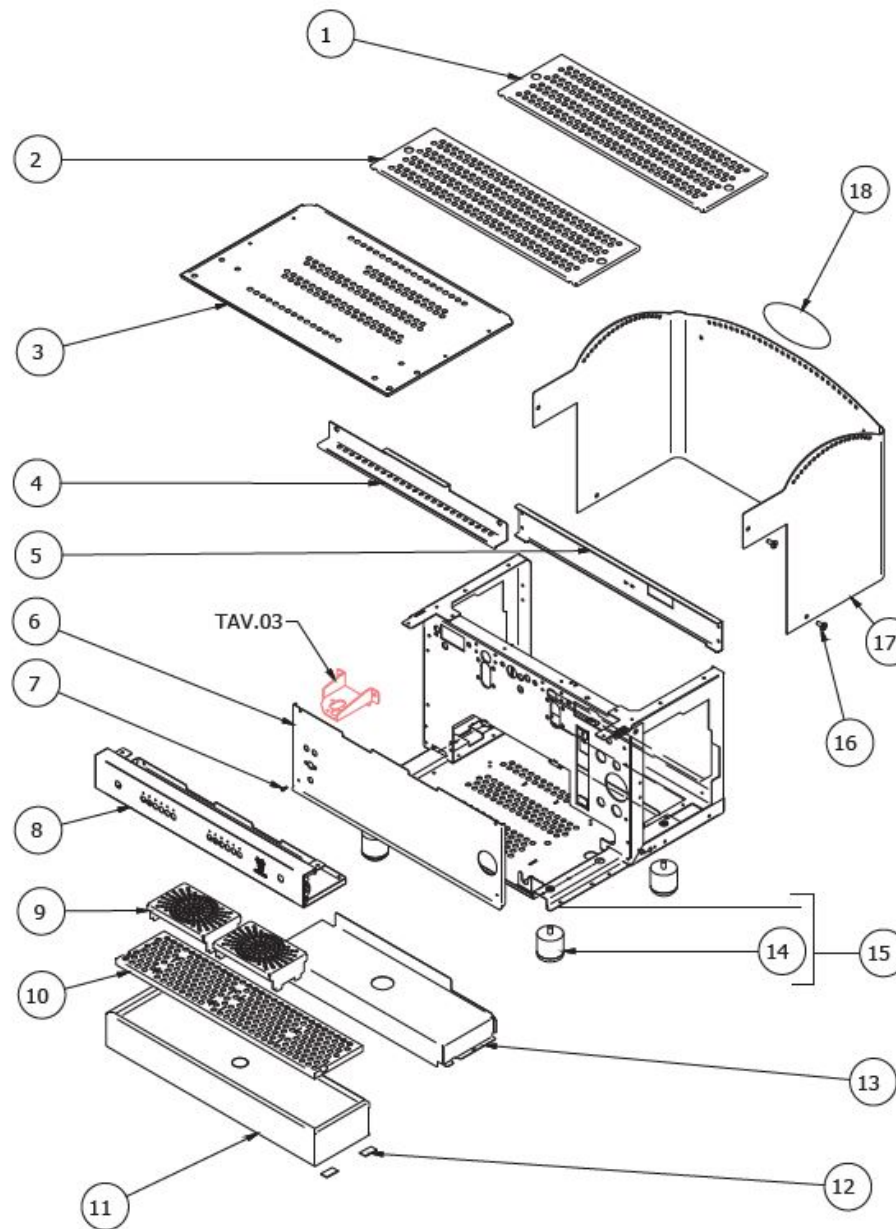


TABLE 1
B2016

POS	CODE	DESCRIPTION
13	5053033LW	B2013 2GR.STAINLESS COVERING BASIN
13	5053034LW	COVERING TRAY 3GR INOX
13	5053032LW	COVERING TRAY 1GR INOX
14	7474215	FEET
15	5964671	CHASSIS 1GR
15	5964672	CHASSIS 2GR
15	5964673	CHASSIS 3GR
16	5227003NE	SCREW M8 X 18 OT NICKEL-PLATED
17	5091724LW	B2016 BODYWORK 2GR WITHOUT COMPASS
17	5091725LW	B2016 BODYWORK 3GR WITHOUT COMPASS
17	5091723LW	B2016 BODYWORK 1GR WITHOUT COMPASS
18	5521525	GOLDEN LABEL SNAKE MILANO ITALY

TABLE 1
B2016

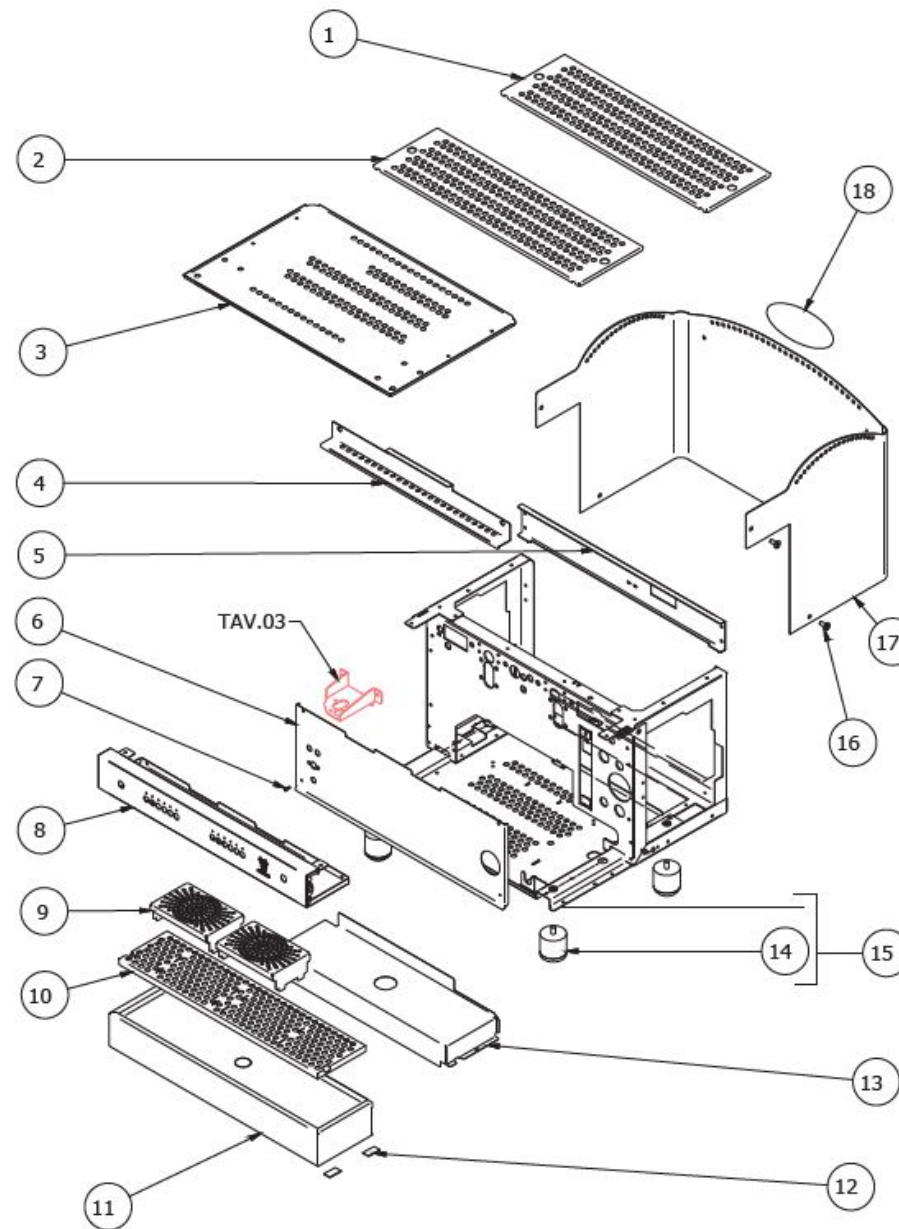


TABLE 2
B2016

POS	CODE	DESCRIPTION
1	5661501	6 BLACK KEYBOARD KEYS
2	7611517	CLAMP
3	5094869LL	WORKING FRONTAL PANEL 1GR
4	7665524.01PR	PUSH BUTTON COMPLETE
5	5191513	SPACER NYLON 66 L=7 MM
6	5058461LL	B2016 PUSHBUTTON SUPPORT
7	7819908	SCREW TTEI M4X8
8	7809811	PLASTIC SCREW TCI M3X16 DIN85
9	7663553	CONNECTING CABLE 8 POLES 3
9	7663552	CONNECTING CABLE 8 POLES 1
10	7816002	SCREW TCEI M4X12 UNI 5931 A2
11	5220802	BUSHING D10 X 4.2 OT
12	7816004	SCREW TCEI M4X16 A2
13	5227003NE	SCREW M8 X 18 OT NICKEL-PLATED
14	5521524	ITALIAN FLAG LABEL
15	5094881LL	FRONTAL WORK B2016 DE 2GR W/COMPASS
15	5094883LL	B2016 FRONTAL WORK DE 3GR W/COMPASS
15	5094882LL	FRONTAL WORK B2016 DE 1GR W/COMPASS

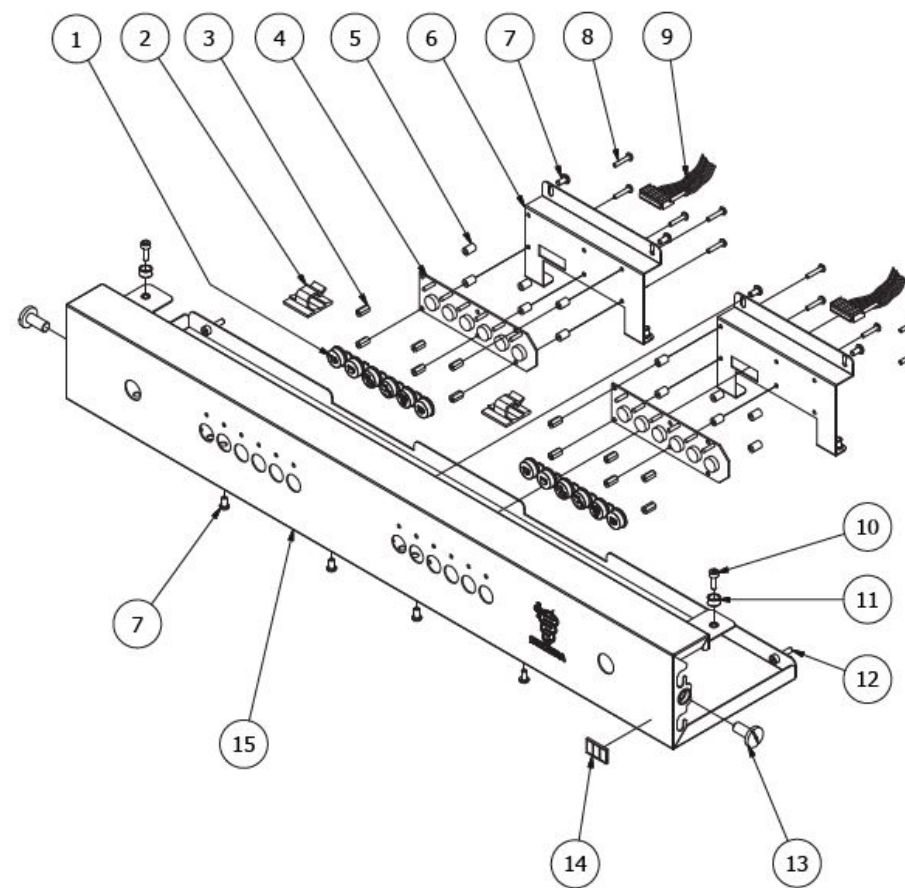
TABLE 2
B2016

TABLE 3
B2016

POS	CODE	DESCRIPTION
1	7817001	SCREW TPS M5X16 DIN 963 A2
2	5470501	SHOWER D57 AISI 304
3	5285501TP	SHOWER-HOLDER D57OT
4	7493008	CONICAL GASKET H9.3 NBR 90SH PEROS.
5	5280505TW	COUPLING RING USED W/CONICAL GASKET
6	7496004	OR GASKET 139 VITON
7	5283520.01	CARTRIDGE FLANGE D65X14,5 ALUMINUM
8	5963099.01	ASSY HEATING ELEMENT 110V
8	5963101.01	ASSY HEATING ELEMENT 220/240V
9	7634808	THERMAL SAFETY DEVICE 250V 95°C
10	7816014	SCREW M8X20 UNI5931 A2
11	7814002	NOTCHED WASHER D4
12	7816021	SCREW TCEI M5X25 UNI 5931 A2
13	5301504TR	UNION ELBOW 1/8
14	5018460.01CT	SUPPORT COUPLING RING
15	5162316LL	PIPE FOR GROUP SOLENOID VALVE B2009
16	5302004	STRAIGHT FITTING 1/8
17	5302014	STRAIGHT FITTING M13 X 1/8
18	5223003	JET M6 X 6 HOLE D0.8 OT
19	7702311	SOLENOID VALVE 3 WAYS 230V PARKER
19	7702410	PARKER SOLENOID VALVE 3 WAYS 240V
19	7701112	SOLENOID VALVE PARKER 3 WAYS 110V
20	7703014	PARKER SMALL ELECTRO-PILOT3 WAYS
21	7630332	SOLENOID VALVE COIL 115V PARKER
21	7630331	SOLENOID VALVE COIL 230V PARKER
21	7630330	SOLENOID VALVE COIL 240V PARKER
22	5370313	GROUP E.VALVE DRAIN RUBBER HOLDER
23	7611516	CLAMP 10086

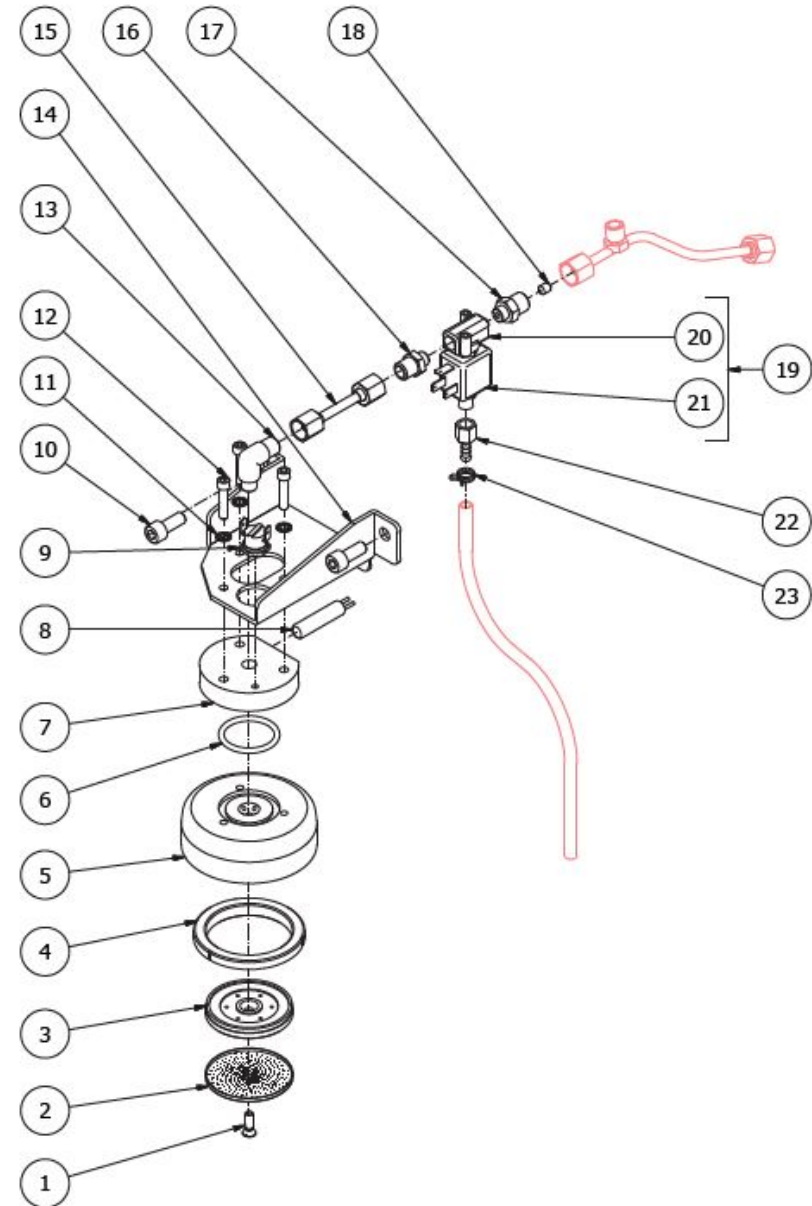
TABLE 3
B2016

TABLE 4
B2016

POS	CODE	DESCRIPTION
1	5032402.01LL	ELECTRIC BOX W/COMPASSES
2	7612513	4 CONTACTS CLIP
3	7662740.01PR	DOSAGE UNIFIED DE 110/120V WITHOUT
3	7662741.01PR	ELECTRONIC DOSAGE DE 220/240V
3	7662641.02PR	CONTROL UNIT UNIFIED 110/120V
3	7662643.02PR	ELECTRONIC DOSAGE 220/240
4	7633344R	SWITCH
4	7633344R	SWITCH
5	5859919	THICKNESS
6	7635423	RELAY 30A 110V
6	7635422	RELAY 30A 220/240V
7	7614002	CABLE-PRESS PG21 POLYAMIDE
8	7614004	NUT PG21 ES.30 H6 POLYAMIDE
9	7633625	ORANGE LAMP
10	7633626	RED LED
11	7371513	BLACK KNOB D40
11	7371521	BLACK KNOB
12	7633624	GREEN LAMP
13	7809800	TAPPING SCREW TC D3.9 X 9.5
14	5373104.01LL	DRAIN PAN COVER NYLON WORKED
15	5374501.01	BLACK DRAIN BASIN NYLON
16	7303503	PIPE D12.7X18.8 3/4FC L=200CM
17	5225294	FITTING M/F 3/4X3/8
18	7821403	NUT M6 UNI 5587 OT
19	7816027	SCREW TCEI M5X8 UNI5931 A2
20	7814002	NOTCHED WASHER D4
21	7805004	PLAIN WASHER D6 UNI 6592 FEZN
22	7470601	VIBRATION-DAMPING D25X10
23	5038437LW	B2013 1/2GR. ENGINE SUPPORT
24	7742404.01	ELECTRIC MOTOR 220/240V 6MF 50/60HZ

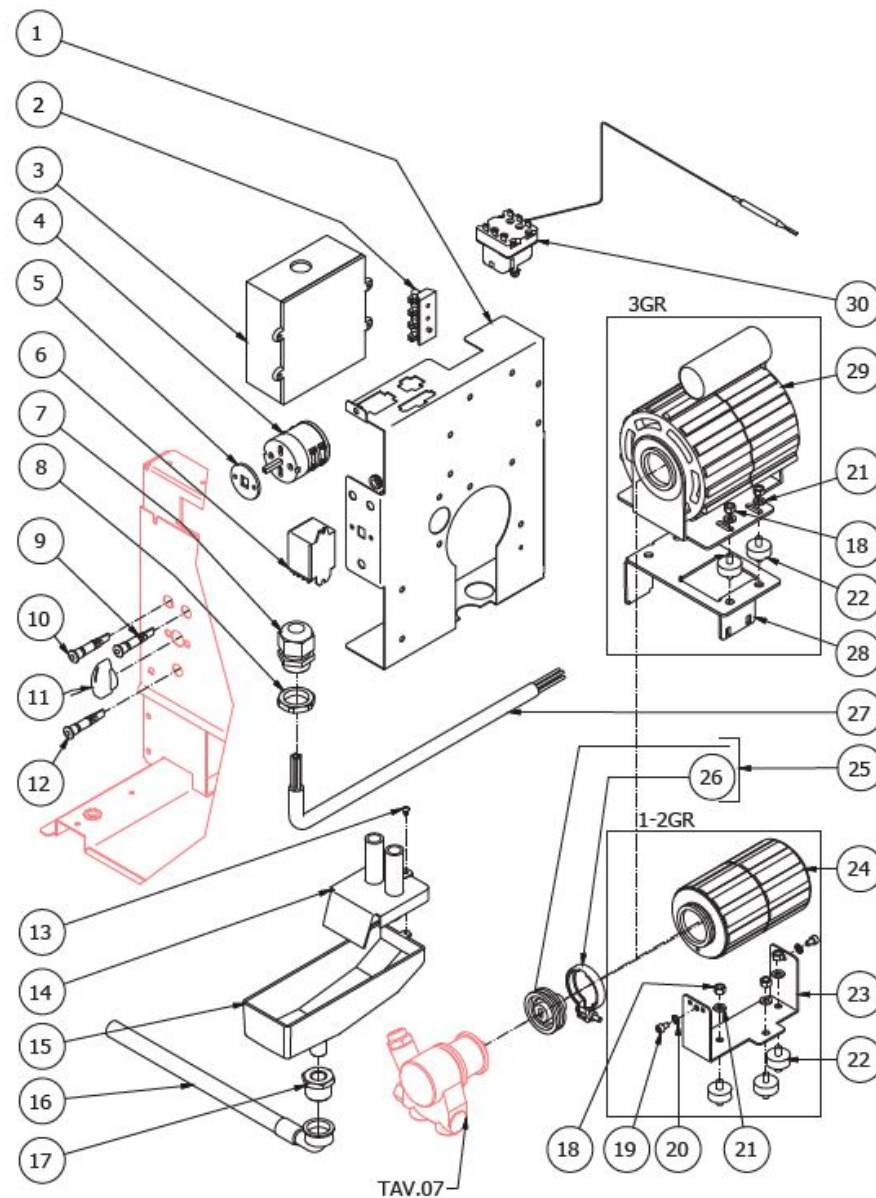
TABLE 4
B2016

TABLE 4
B2016

POS	CODE	DESCRIPTION
24	7741005.01	ELECTRICAL MOTOR 110V 25MF 50/60HZ
25	7730508	KIT PUMP 48YZ
26	7611508	PUMP CLAMP
27	3556003	CONNECTING CABLE SOOW 3X10 AWG (2-3
27	3552404.01	CABLE H07RNF 3X2.5-2,2MT S/KIT
27	3552703.01	CABLE H07RNF 3X4-2,2MT WITHOUT KIT
27	3553904.01	CABLE H07RNF 5X2.5-2,2MT S/KIT
27	3551501	CONNECTING CABLE SOOW 3X12 AWG (1 G
28	5038440LL	ENGINE SUPPORT 3GR W/COMPASSES
28	5038440LL	ENGINE SUPPORT 3GR W/COMPASSES
29	7742206	ELECTRIC MOTOR 220/240V 10MF
29	7741102	ELECTRIC MOTOR 110V 18MF
30	7434001	THERMOSTAT MANUAL

TABLE 4
B2016

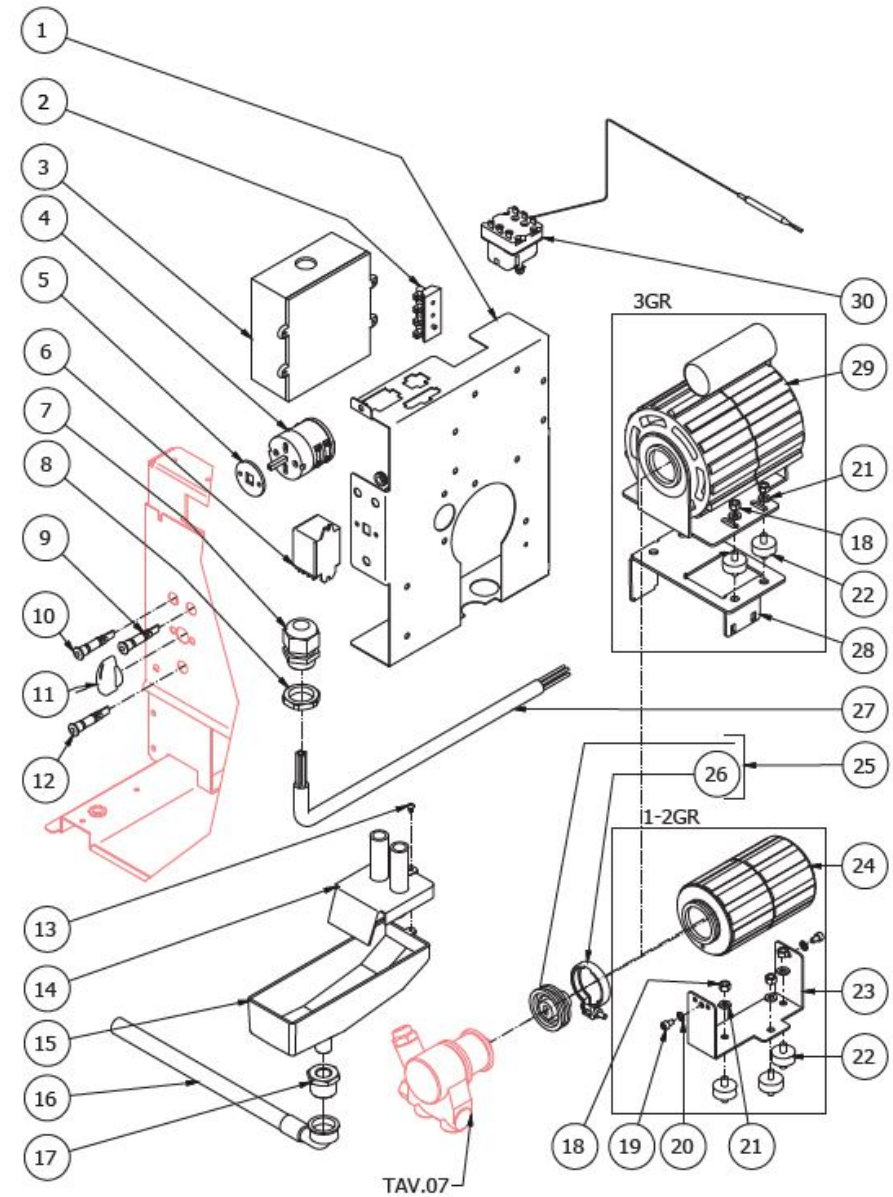


TABLE 5
B2016

POS	CODE	DESCRIPTION
1	5320515.01BL	BOILER 1GR.
1	5321015.01BL	BOILER 2GR.
1	5321515.01BL	BOILER 3GR.
1	5321015.01BL	BOILER 2GR WITH EXCHANGER
1	5321515.01BL	BOILER FB 3GR 2S W/EXCHANGE
2	5226403	PLUG 3/8
3	5492005	GASKET D203 X 151 X 2 ASBESTOS FREE
4	5283522AL	BOILER FLANGE D206 OT60-LF
5	7816424	SCREW TE M10X18 DIN 933 A2
6	7615003	FASTON 45° HOLE D4.3
7	7814002	NOTCHED WASHER D4
8	7826212	SCREW TCI M4X6 UNI 6107 OT
9	5492006	GASKET D76 X 39 X 2 ASBESTOS FREE
10	5722249	HEATING ELEMENT 1GR 1400W 110/120V
10	5722241	HEATING ELEMENT 1GR 1850/2200W 220/240V
10	5721131	HEATING ELEMENT 2GR 2600W 110/120V
10	5722242	HEATING ELEMENT 2GR 2750/3300W 220/240V
10	5721132AL	HEATING ELEMENT 3GR 3000W 110/120V
10	5722243AL	HEATING ELEMENT 220/240V-4600/5450W
11	7816423	CREW TE M8X18 UNI5739 A2
12	5226404	PLUG M10 H12 OT
13	5226405TP	CAP 1/4
14	5192001	PROBE SHEATH D8 X 45 HOLE D3 PTFE
15	5225205	STRAIGHT FITTING M10 OT
16	5265811	LEVEL PROBE D3X160X4.8
17	5265804	LEVEL PROBE D3 X 110 X 6.3
17	5265807	LEVEL PROBE 2-3-4GR. D3X90X6.3 AISI
18	5226417.01DC	PLUG 1/8
19	5264017.01DC	STUD
20	7496094	O-RING GASKET 102 VITON 70SH

TABLE 5
B2016

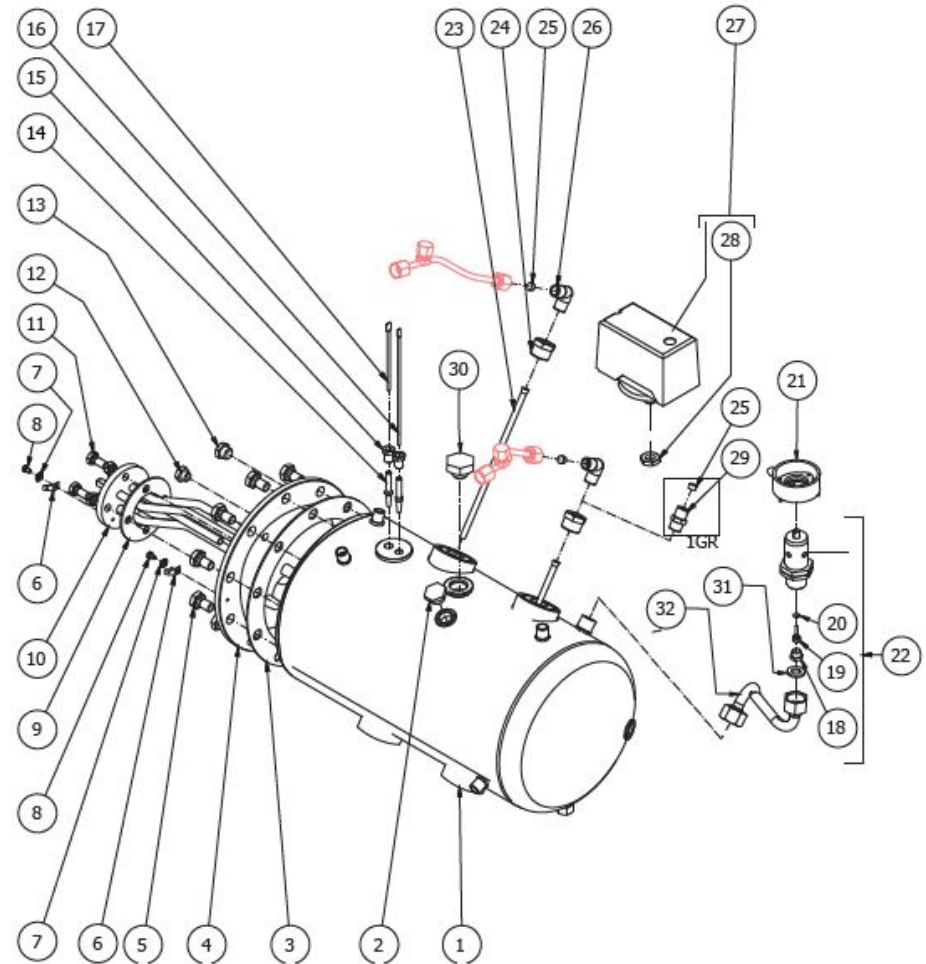


TABLE 5
B2016

POS	CODE	DESCRIPTION
21	5963047	CUP+O-RING+PLUG
22	5965015.06	COMPLETE SAFETY VALVE 1,65 BAR
23	5192316	PESCANTE D6X1 L=180 PTFE B2013
24	5225415.01	FITTING 1/2
25	5471019	FILTER D8,5X5 AISI304
26	5301506TR	UNION ELBOW M13X1/4
27	7433001	PRESSOSTAT SIRAI P302/6
28	5221821	NUT 1/4
29	5302019	FITTING M13 X ES.15 H25.5 OT
30	5226406	PLUG 1/2
31	5492021	GASKET D18x10x2
32	5164087LL	SAFETY VALVE PIPE

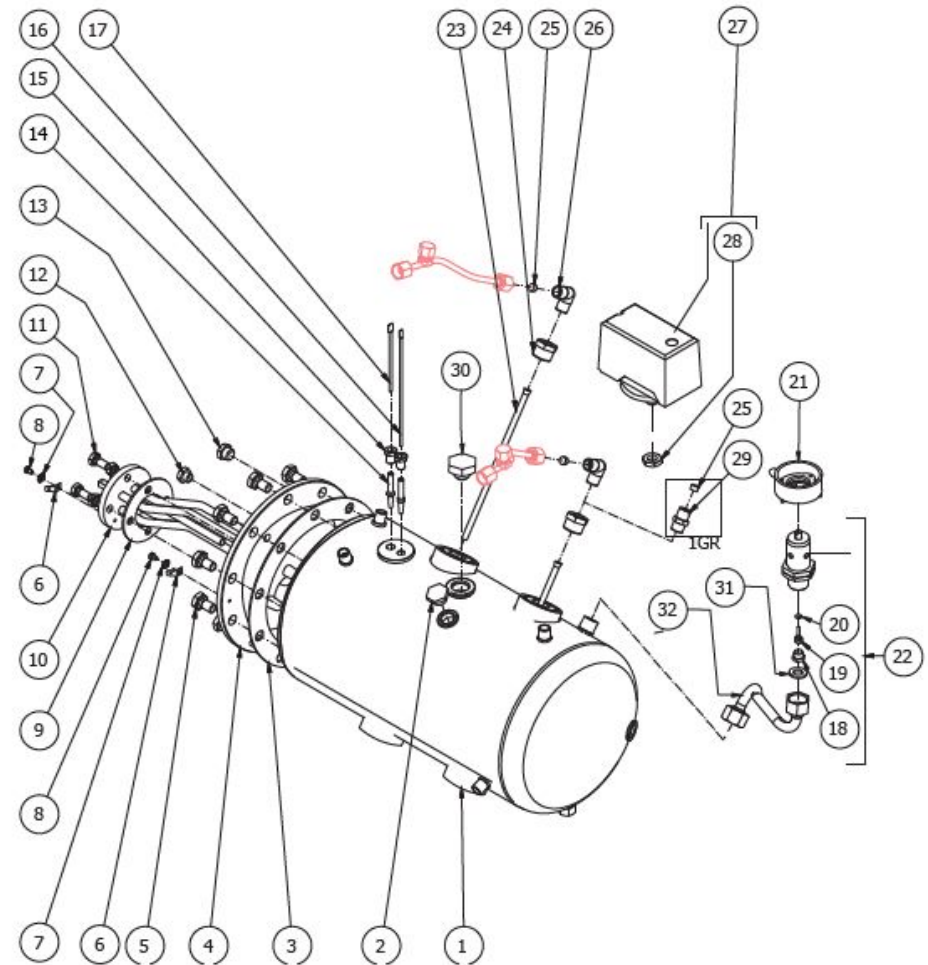
TABLE 5
B2016

TABLE 6
B2016

POS	CODE	DESCRIPTION
1	5964003.02	ASSEMBLY TAP
2	5283002	TAP BODY OT
3	7822201	CAP NUT M4 OT
4	7825001	PLAIN WASHER D8 X 4 X 0.8 OT
5	5493023	TAP GASKET EPT 70SH
6	5970504.01	COMPLETE GASKET-HOLDER OVERSIZE
7	7496002	OR GASKET 115 VITON
8	7496075	OR GASKET 10,82X1,78 VITON
9	5220413	ROD TAP B2/3000 OVERSIZE
10	5495001	WASHER D28 X 1 COPPER
11	5223402	OVERSIZE TAP NUT SCREW OT
12	7810601	RING D7 UNI 7434 A2
13	5221804NC	NUT 3/8
15	5373905	STEAM PLASTIC PLUG D45
16	7826202	SCREW TCI M5X10 UNI 6107 OT
17	7804002	FAN WASHER D6 BURNISHED
18	5371803	KNOB D48 B2000
19	5966560.01	ASSEMBLY COMPLETE STEAM HOSE
21	5471504	SPRING D14 AISI 302
22	7496076	GASKET OR 112 EP856 80SH
23	5224605	GASKET-HOLDER D14.7 X 10.5 OT
24	5494002	GASKET D.16X13.1X6 PTFE GRAPHITIZED
25	7479984	STEAM HOSE INOX
26	5221871NC-LL	NUT M18X1 NICKEL-PLATED WITH GASKET
27	5494009	GASKET D16X13,2X2 PTFE
28	7371003	STEAM PIPE PROTECTION
29	7496084	GASKET OR D6,4X1,9 NBR70
30	7305015	STEAM HOSE 4 HOLES NO BURN
31	5163286LL	STEAM HOSE SX
32	5163290LL	WATER HOSE

TABLE 6
B2016

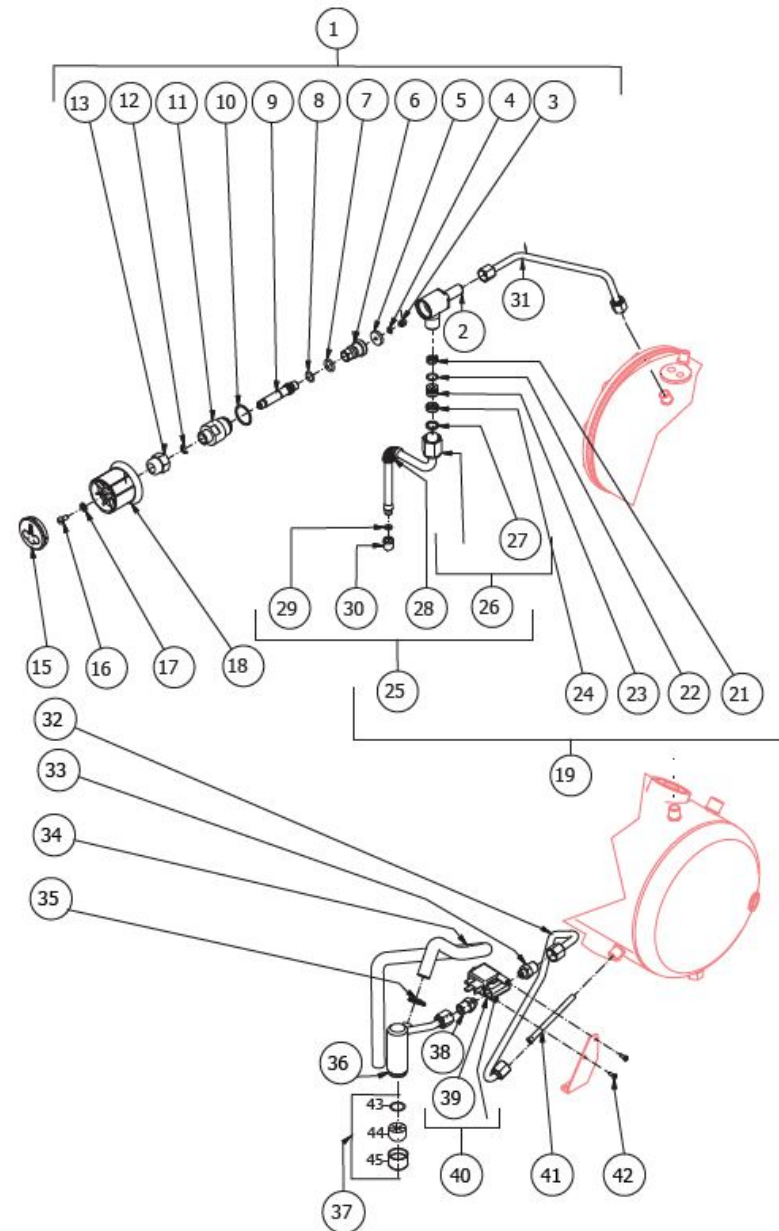


TABLE 6
B2016

POS	CODE	DESCRIPTION
33	5302014	STRAIGHT FITTING M13 X 1/8
34	5194595	HOSE D15X10 L=500MM SILICONE (1-2GR
34	5194618	HOSE D15X10 L=600MM SILICONE X3GR
35	7611502	CLAMP D14
36	5329015DC	MIXER BODY
37	5226601TW	WATER HOSE TERMINAL
38	5302014	STRAIGHT FITTING M13 X 1/8
39	7630327	SOLENOID VALVE COIL 110V PARKER
39	7630329	SOLENOID VALVE COIL 240V PARKER
39	7630328	SOLENOID VALVE COIL 220/230V PARKER
40	7701111	SOLENOID VALVE PARKER 115V VITON
40	7702310	SOLENOID VALVE PARKER 230V
40	7702409	PARKER SOLENOID VALVE 240V VITON
41	5192307LL	WATER SAUCTION HOSE D6X1 L=80
42	7816016	SCREW TCEI M3X6
43	5493003	GASKET D20.5X15 H1.5 NBR 70SH
44	7999918	SHOWER TERMINAL WATER
45	7305020TW	WATER TERMINAL

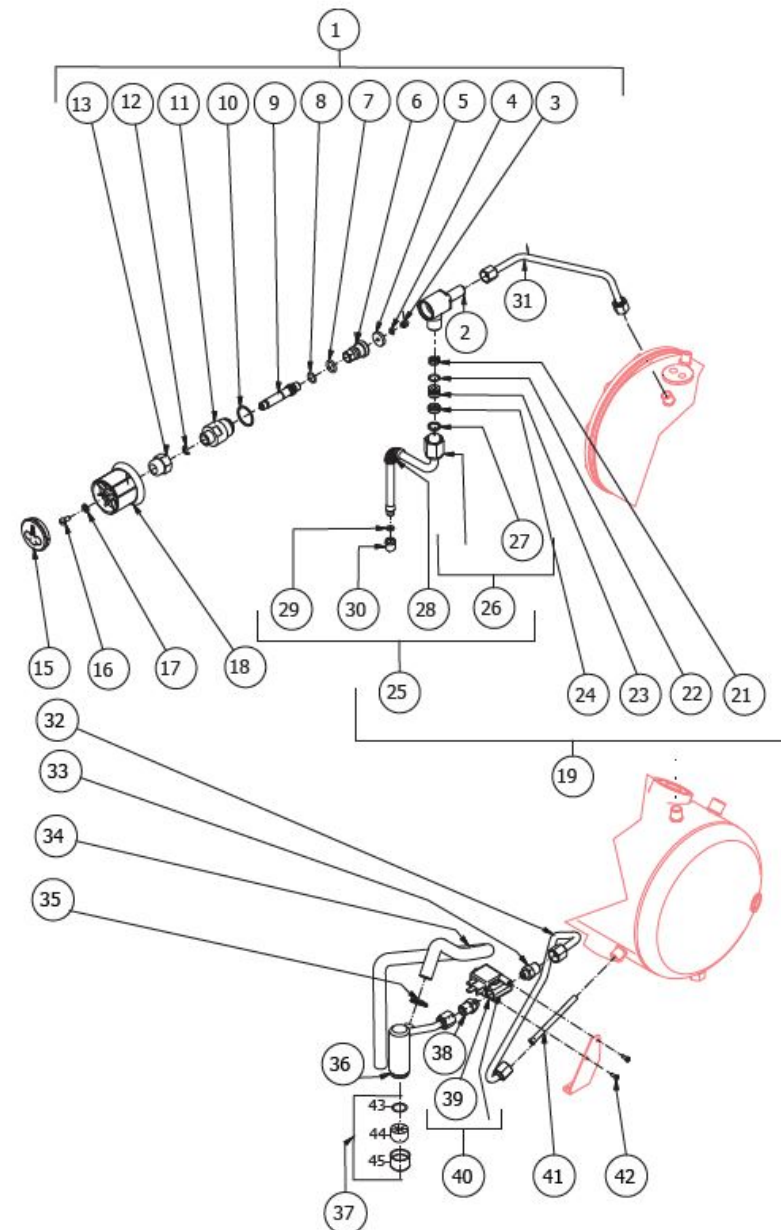
TABLE 6
B2016

TABLE 6A
B2016 With mixer (Optional)

POS	CODE	DESCRIPTION
1	5301507TR	UNION ELBOW M13X3/8
2	5302014	STRAIGHT FITTING M13 X 1/8
3	7702312	PARKER SOLENOID VALVE 220/240V
3	7701114	PARKER SOLENOID VALVE 110/115V
4	7703011	SOLENOID VALVE WITHOUT COIL PARKER
5	7630325	SOLENOID VALVE COIL 220/240V PARKER
5	7630324	SOLENOID VALVE COIL 110V PARKER
6	5225238	FITTING M13X1/8
7	5223003	JET M6 X 6 HOLE D0.8 OT
8	5471019	FILTER D8,5X5 AISI304
9	5162218LL	INLET AUTOMATIC LEVEL HOSE
10	7816016	SCREW TCEI M3X6
11	5038429LL	EV SUPPORT
12	5192307LL	WATER SAUCTION HOSE D6X1 L=80
13	5226601TW	WATER HOSE TERMINAL
14	5226610TW	WATER HOSE TERMINAL D23.5X18 OT CHR
15	7496003	OR GASKET 108 VITON
16	5163313LL	MIXER
17	5194606LL	HOSE PTFE D4X2 L400MM
18	5163290LL	WATER HOSE
19	5302004	STRAIGHT FITTING 1/8
20	7402403	REGULATOR
21	5162338LL	INCOMING WATER HOSE
22	5038434LL	SUPPORT EV MIXER W/COMPASSES
23	5163288LL	BOILER CHARGE PIPE ELLISSE
24	7630328	SOLENOID VALVE COIL 220/230V PARKER
24	7630329	SOLENOID VALVE COIL 240V PARKER
24	7630327	SOLENOID VALVE COIL 110V PARKER
25	7702310	SOLENOID VALVE PARKER 230V
25	7702409	PARKER SOLENOID VALVE 240V VITON

TABLE 6A
B2016 With mixer (Optional)

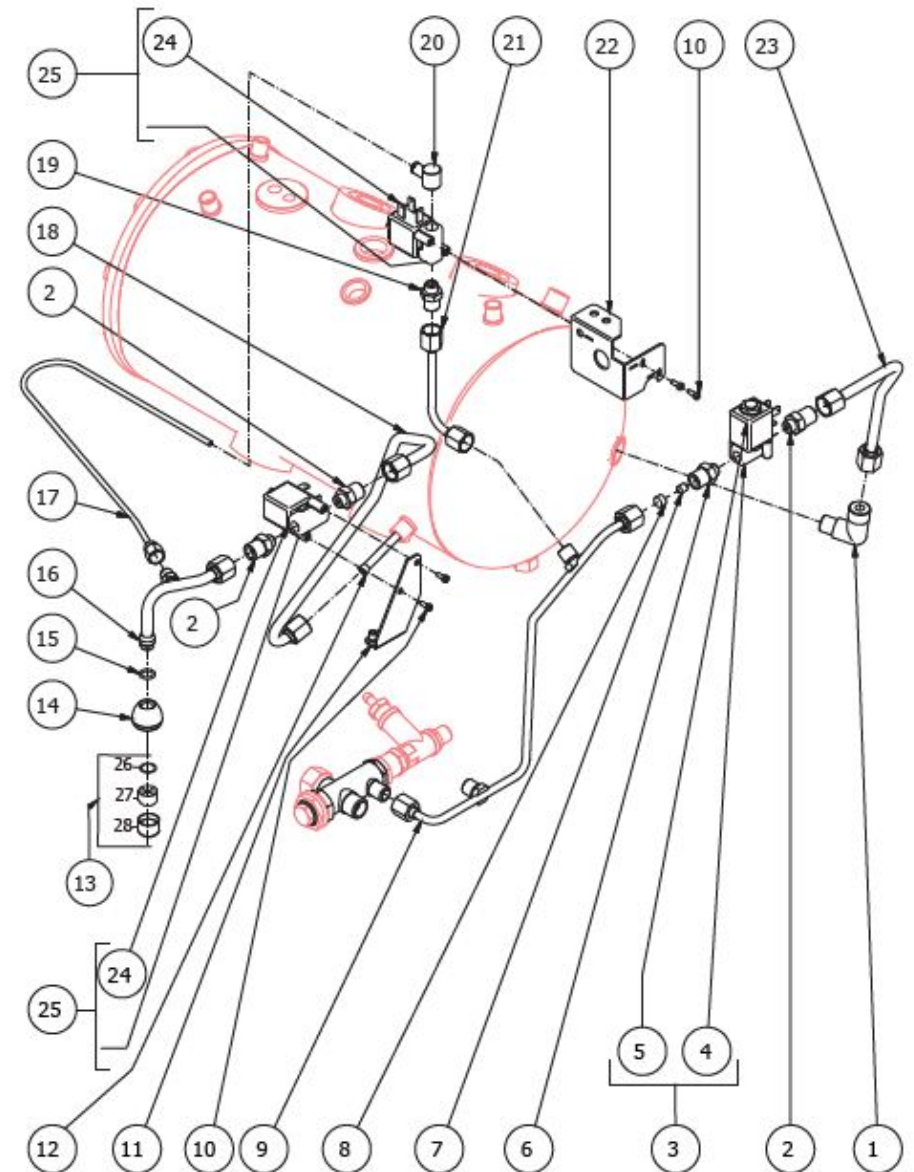


TABLE 6A
B2016 With mixer (Optional)

POS	CODE	DESCRIPTION
25	7701111	SOLENOID VALVE PARKER 115V VITON
26	5493003	GASKET D20.5X15 H1.5 NBR 70SH
27	7999918	SHOWER TERMINAL WATER
28	7305020TW	WATER TERMINAL

TABLE 6A
B2016 With mixer (Optional)

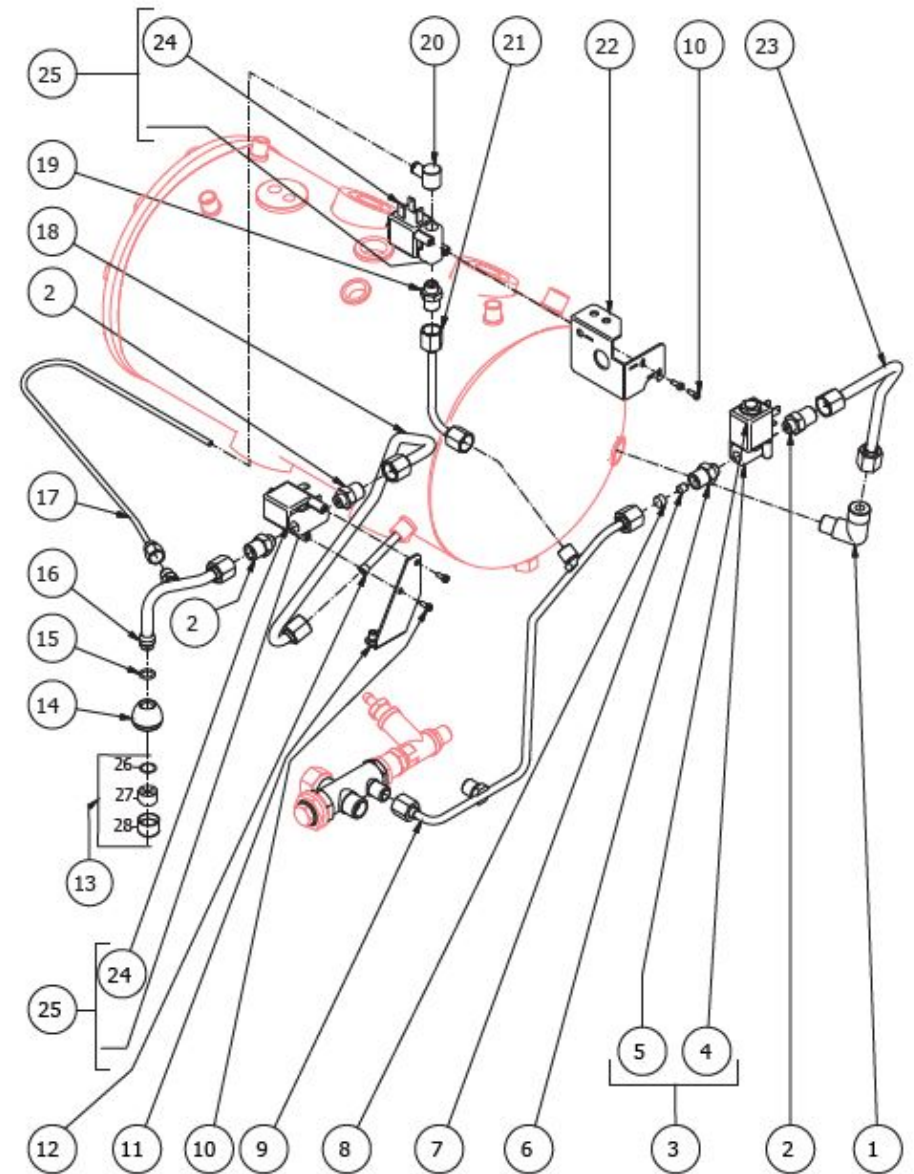


TABLE 6B
WOODY

POS	CODE	DESCRIPTION
1	5225309.01AL	FITTING M13X3/8
2	5224603TP	GASKET HOLDER D12X12 BRASS PB-NI FR
3	5496042	GASKET D11X4X4 EPT 70
4	5283058	TAP BODY 3/8
5	5221826	NUT 3/8
6	5494004	GASKET D12 X 6 PTFE GRAPHITIZED
7	5261801	WASHER D11
8	5471513	SPRING D8 H17 AISI302
9	5260207DL	TREE D12X60,5 AISI303
10	5225610	ARTICULATED JOINT M8
11	5222823CM	FERRULE 3/8
12	7372004	WOODEN KNOB
13	5964103	ASSY TAP (WOOD)
14	5471532.01	SPRING FOR ARTICULATION
15	5190501	CUP FOR FITTING PTFE/GLASS
16	7479994	STEAM TUBE TERMINAL 4 HOLES SPHERE
17	5494021	NUT GASKET PTFE H=1,5
18	5494020	GLOBE GASKET 14.3 PTFE
19	5221872.01	LOOSEN NUT 3/8
20	7371004	STEAM PIPE PROTECTION
21	7496096	GASKET OR. RED SILICONE
22	7496095	OR GASKET 6X1.2 EPDM70
23	5266610	4-HOLE STEAM TERMINAL AISI303

TABLE 6B
WOODY

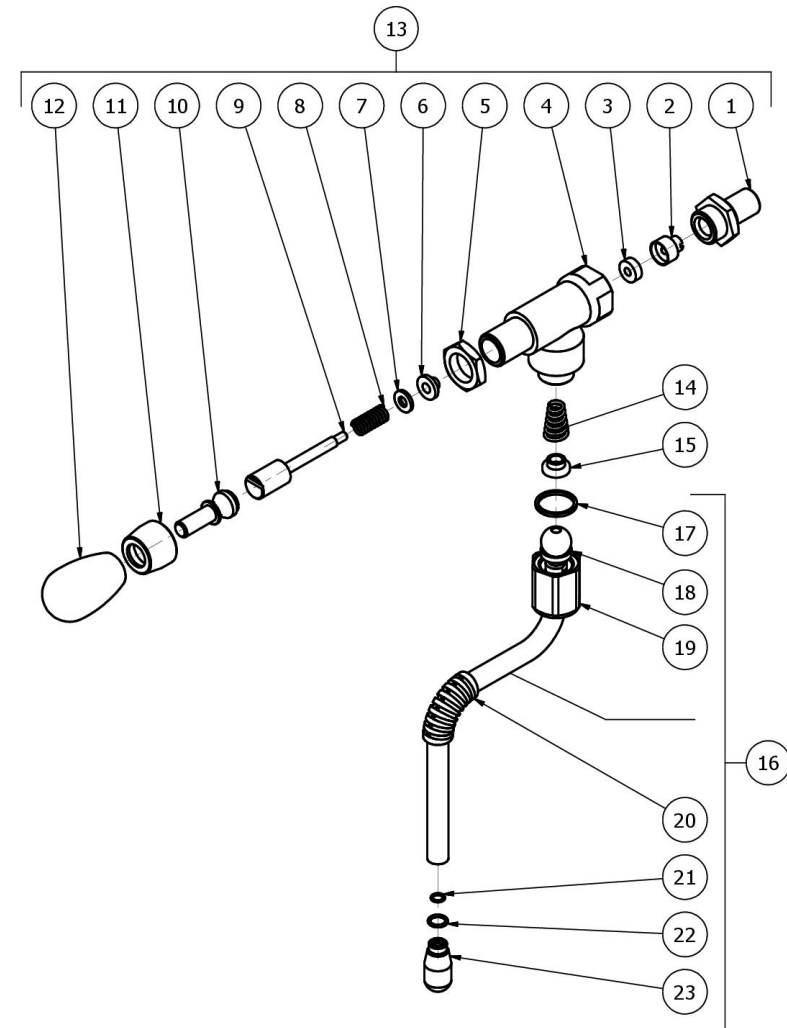


TABLE 7
B2016

POS	CODE	DESCRIPTION
1	7730506	ROTARY PUMP 100L/H PA104X
1	7730507	ROTARY PUMP 200L/H PA204X
2	7374005	PROCON PUMP FILTER
3	7496033	OR GASKET 2075 VITON
4	7611508	PUMP CLAMP
5	7730508	KIT PUMP 48YZ
6	7200512	FLEXIBLE HOSE 3/8x3/8
7	7200516	STAINLESS STEEL FLEX 3/8
7	7200517	STAINLESS STEEL FLEX 3/8
8	5302012.01AL	STRAIGHT FITTING 3/8
9	5221819	CAP NUT 3/8
10	5492011	GASKET D15X3 ASBESTOS FREE
11	5302078	FITTING 1/4"G X 3/8"G
12	7451501	BALL VALVE 1/4
13	5495005	GASKET D13,5X18X2
14	5301501TR	UNION ELBOW
15	5163326LL	BOILER DRAIN HOSE

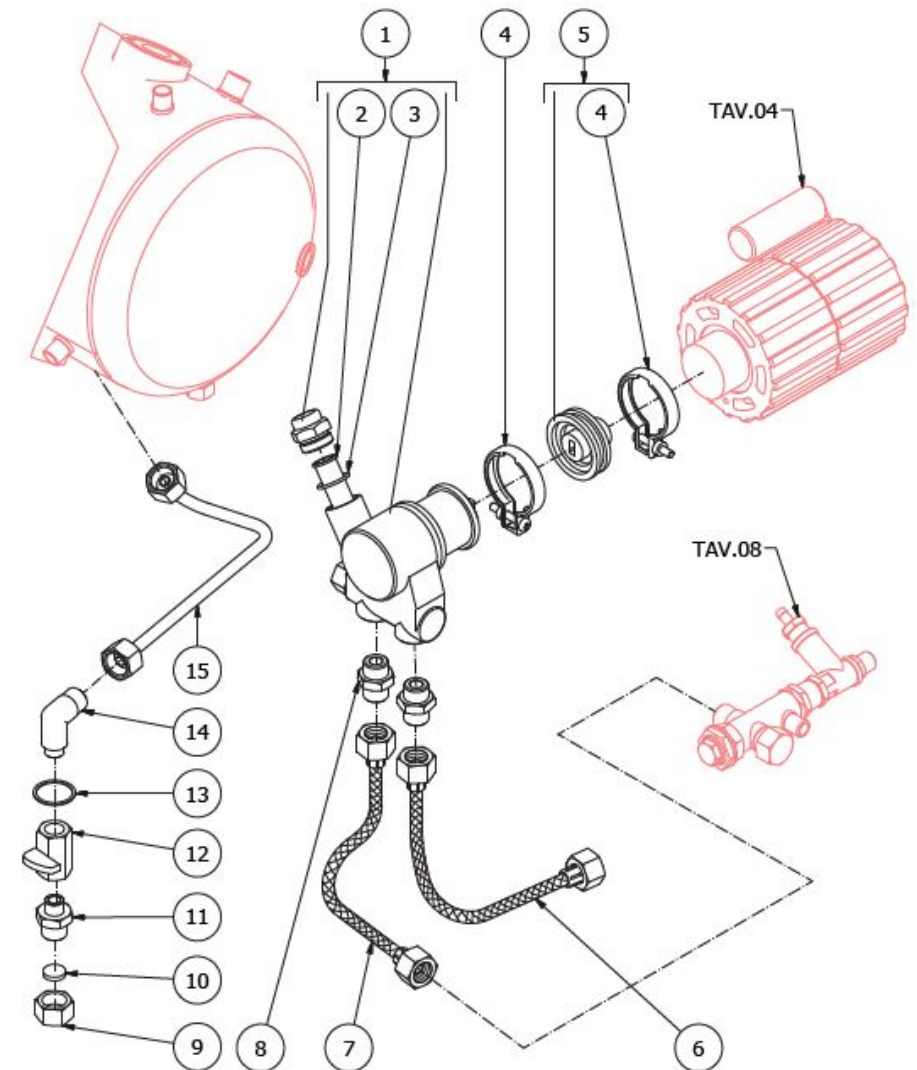
TABLE 7
B2016

TABLE 8
B2016

POS	CODE	DESCRIPTION
1	5965164	ASSEMBLY ELLISSE SURPR.VALVE
2	5302071	FITTING RUBBER-HOLDER M12X1 OT
3	7496052	OR GASKET 114 VITON
4	5471506.01	CALIBRATED SPRING D1.1 H32 AISI302
5	5224619TP	O'RING HOLDER SPIGOT D5.3 PB-NI FRE
6	5493001	GASKET D8 X 4 EPT70
7	5283048	SURPRESSION VALVE BODY
8	7496018	OR GASKET 105
9	5224615TP	GASKET-HOLDER
10	5471505	CALIBRATED SPRING D0.45 H22 AISI302
11	5302018	STRAIGHT FITTING M12 X M13 H26.5 OT
12	5221821	NUT 1/4
13	5302061	FITTING M/F 3/8
14	5471002	FILTER D13.5 H11 AISI 304
15	5221819	CAP NUT 3/8
16	5302501	MULTIPLE FITTING 5 WAY OT
17	5999906	WASHER 20 X 30 COPPER
18	5221823	NUT 1/2
19	5226405TP	CAP 1/4
20	5194550	HOSE D 8x5 SILICONE L=400 1GR
20	5194551	HOSE D 8x5 SILICONE L=450 1GR
20	5194549	HOSE D 8x5 SILICONE L=350

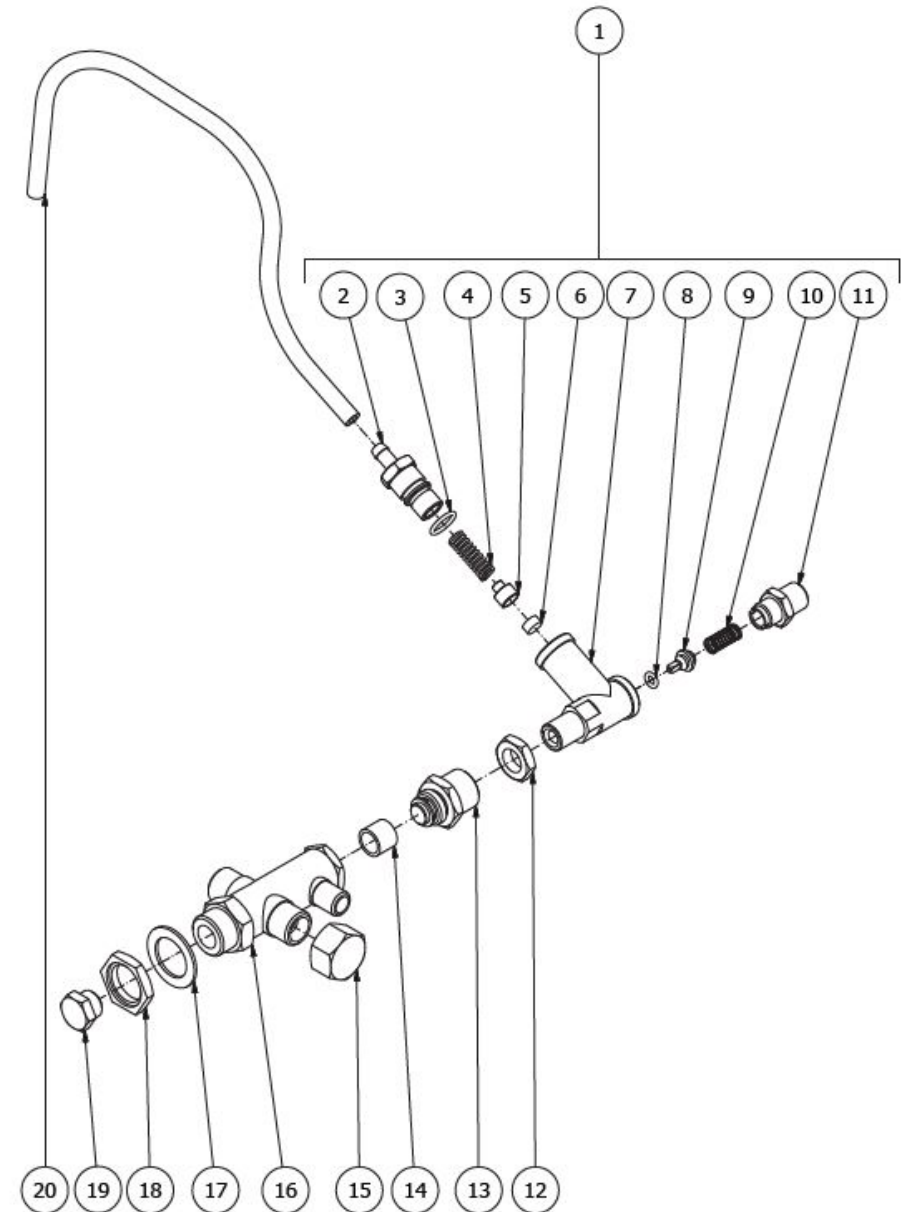
TABLE 8
B2016

TABLE 9
B2016

POS	CODE	DESCRIPTION
1	5226415	FITTING 1/2"G
2	7304502TR	STRAIGHT FITTING 1/8
3	5492020	GASKET D11.5 X 2
4	5221840	CAP NUT M13 OT
5	5192307LL	WATER SAUCTION HOSE D6X1 L=80
6	7432524	PRESSURE GAUGE D60 DOUBLE SCALE 1/8
7	7400901	PRESSURE GAUGE CAPILLARY
7	7400904	CAPILL.1,27X2,51X800 1/8-M12
7	7400907	CAPILLARY 1,27X2,51X950 1/8-M12
8	7400901	PRESSURE GAUGE CAPILLARY
9	5162218LL	INLET AUTOMATIC LEVEL HOSE
10	5471019	FILTER D8,5X5 AISI304
11	5223003	JET M6 X 6 HOLE D0.8 OT
12	5225238	FITTING M13X1/8
13	5301507TR	UNION ELBOW M13X3/8
14	5163288LL	BOILER CHARGE PIPE ELLISSE
15	5302014	STRAIGHT FITTING M13 X 1/8
16	7702312	PARKER SOLENOID VALVE 220/240V
16	7701114	PARKER SOLENOID VALVE 110/115V
17	7630325	SOLENOID VALVE COIL 220/240V PARKER
17	7630324	SOLENOID VALVE COIL 110V PARKER
18	7703011	SOLENOID VALVE WITHOUT COIL PARKER
19	5225307	FITTING 1/8
20	5301512	UNION ELBOW M12 X 1/4

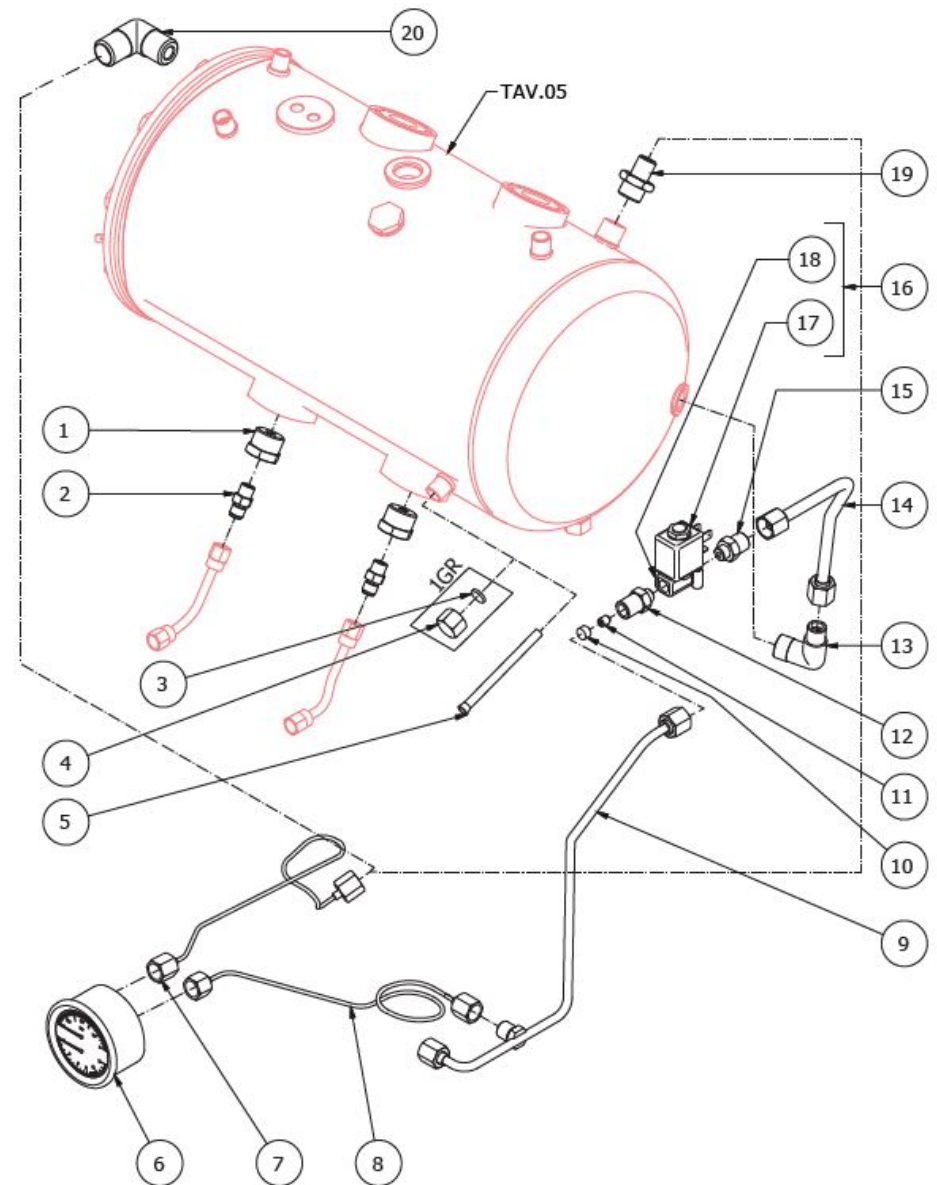
TABLE 9
B2016

TABLE 10
B2016

POS	CODE	DESCRIPTION
1	5372101	BLACK MEASURE
2	5373001	COFFEE-PRESS ABS
3	7990603	CLEANING BRUSH FOR COFFEE MACHINE
4	5471003	BLIND FILTER AISI 304
5	5471031.01	FILTER 1 CUP 8 GRAMS
6	5471035	FILTER 2 CUPS 16 GR RIBBED
6	5471021.01	GROVEED FILTRE 2 CUPS 12 GRAMS
7	5965586.01R	FILTER-HOLDER 1 CUP INCLINED
7	5965587.01R	FILTER-HOLDER 2 CUPS INCLINED BZ
8	5471527	FILTER-HOLDER SPRING D1.2 AISI 302
9	5286016TW	FILTERHOLDER TILTED HANDLE BZ GROUP
10	5978508.01	HANDLE WITH LOGO/GASKET
11	5371203	HANDLE
12	7816026	SCREW TCEI M12X60
13	7809810	SCREW PLAS FIX 45 TC POZI D.3,5X10
14	5371204	PLUG CHROMED
15	5371205	PLATE WITH LOGO
16	7305006TW	SPOUT 1 WAY S/PB+PWP
17	7305007TW	SPOUT 2 WAYS WITHOUT PB+PWP
18	7493021	GASKET FOR LOGO HANDLE

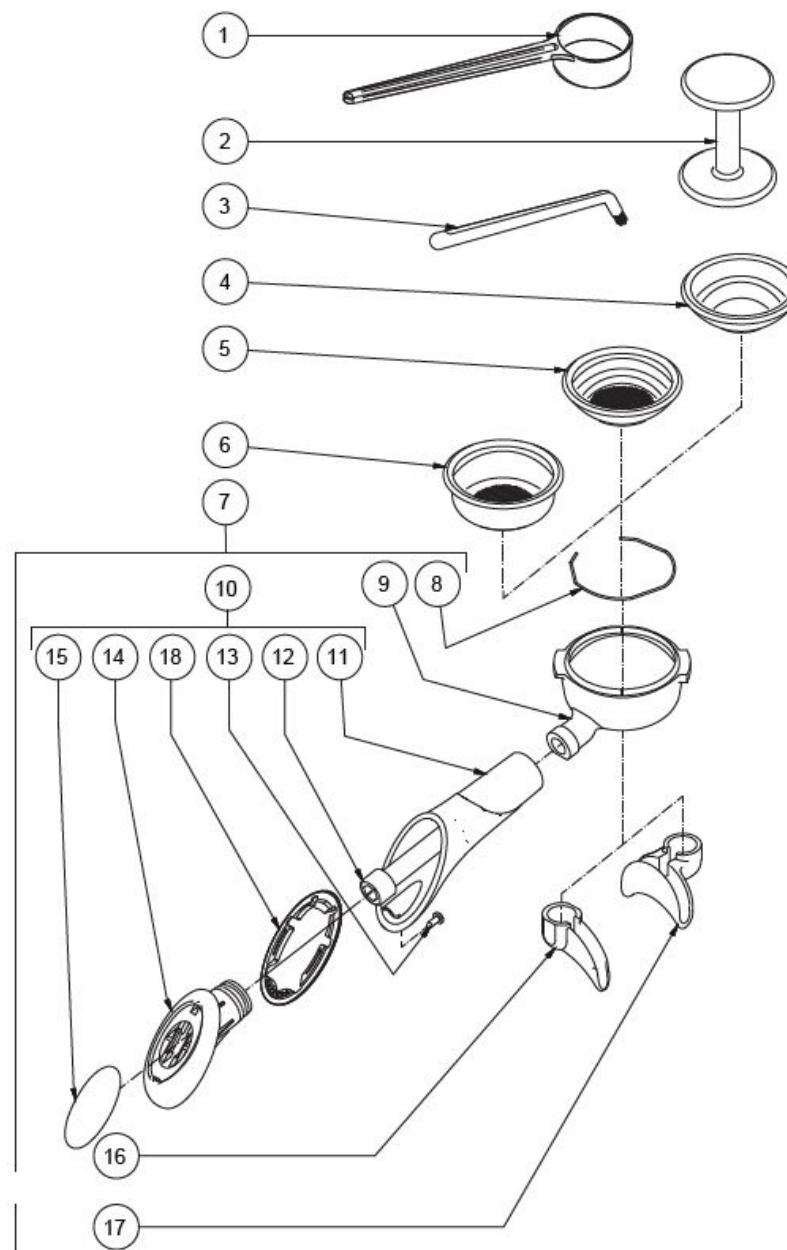
TABLE 10
B2016

TABLE 10A
WOODY

POS	CODE	DESCRIPTION
1	7990603	CLEANING BRUSH FOR COFFEE MACHINE
2	5372101	BLACK MEASURE
3	5373001	COFFEE-PRESS ABS
4	5471031.01	FILTER 1 CUP 8 GRAMS
5	5471035	FILTER 2 CUPS 16 GR RIBBED
6	5471003	BLIND FILTER AISI 304
7	5471527	FILTER-HOLDER SPRING D1.2 AISI 302
8	5286016TW	FILTERHOLDER TILTED HANDLE BZ GROUP
9	7305006TW	SPOUT 1 WAY S/PB+PWP
10	7305007TW	SPOUT 2 WAYS WITHOUT PB+PWP
11	7371520	WOODEN FILTER-HOLDER KNOB
12	5965638R	ASSY FILTER-HOLDER BZ 1CUP 80° WOOD
13	5965639R	ASSY FILTER-HOLDER BZ 2CUPS WOOD

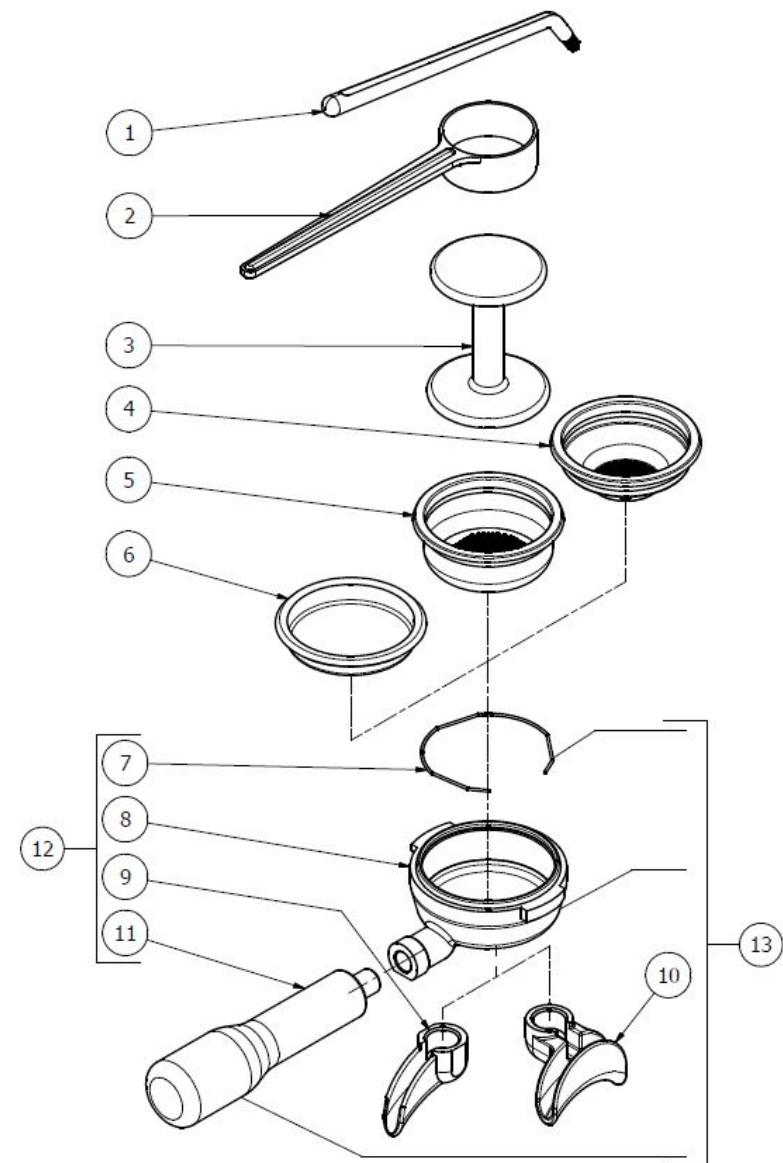
TABLE 10A
WOODY

TABLE 11
B2016 Hose series 1GR

POS	CODE	DESCRIPTION
1	5162371LL	PRESSURE SWITCH TUBE B2013 1/2GR
2	5221813	PLUG M12X1 OT
3	5162337LL	EXCHANGER HOSE
4	5163304LL	HOSE TAP
5	5162316LL	PIPE FOR GROUP SOLENOID VALVE B2009
6	5194593LL	DRAIN PIPE GROUP SOLENOID VALVE
7	5370313	GROUP E.VALVE DRAIN RUBBER HOLDER
8	7611516	CLAMP 10086
9	5163305LL	WATER HOSE
10	5194595	HOSE D15X10 L=500MM SILICONE (1-2GR
11	7611502	CLAMP D14
12	5194549	HOSE D8x5 SILICONE L=350
13	7304510TR	SERTO JUNCTION 1/42G OT
14	7431001	FLOW METER + AUT. WITH LED
15	5471001	NET FILTER D11 AISI 304
16	5191501	SPACER D11X8X6.5 PTFE
17	5302001	STRAIGHT FITTING 1/4
18	5162368LL	ENTRY TUBE SCAMB.B2013 DE 1GR
19	5163321LL	TUBE COLLECT.B2013DE 1GR
20	7200516	STAINLESS STEEL FLEX 3/8
21	7200512	FLEXIBLE HOSE 3/8x3/8
22	5163326LL	BOILER DRAIN HOSE
23	5162218LL	INLET AUTOMATIC LEVEL HOSE
24	7400901	PRESSURE GAUGE CAPILLARY
25	7400901	PRESSURE GAUGE CAPILLARY
26	5301507TR	UNION ELBOW M13X3/8
27	5163288LL	BOILER CHARGE PIPE ELLISSE
28	5302005	STRAIGHT FITTING 3/8
29	5192315	SUCTION HOSE D8X1 L=130 PTFE
30	5302019	FITTING M13 X ES.15 H25.5 OT

TABLE 11
B2016 Hose series 1GR

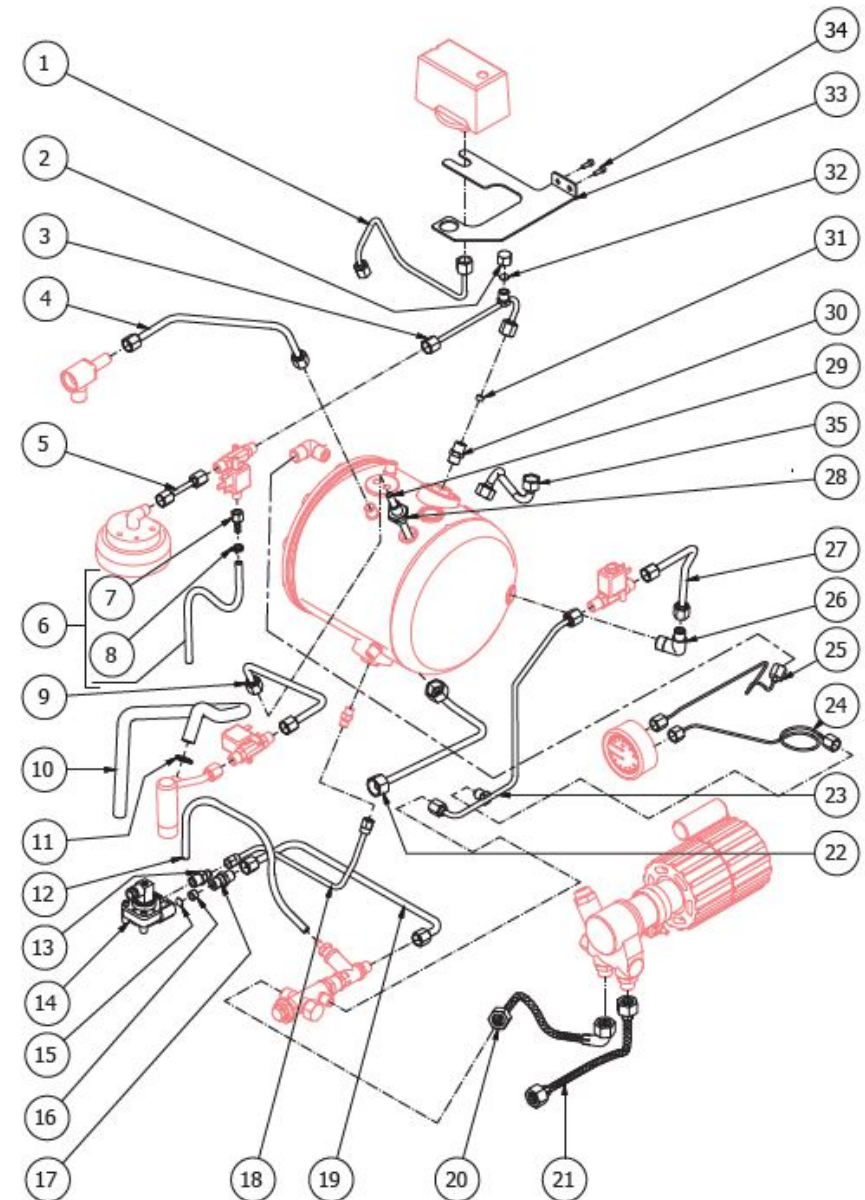


TABLE 11

B2016 Hose series 1GR

POS	CODE	DESCRIPTION
31	5471019	FILTER D8,5X5 AISI304
32	5492008	GASKET D10 X 2
33	5037845LL	PRESSURE SWITCH SQUAD W/COMPASSES
34	7816002	SCREW TCEI M4X12 UNI 5931 A2
35	5164087LL	SAFETY VALVE PIPE

TABLE 11

B2016 Hose series 1GR

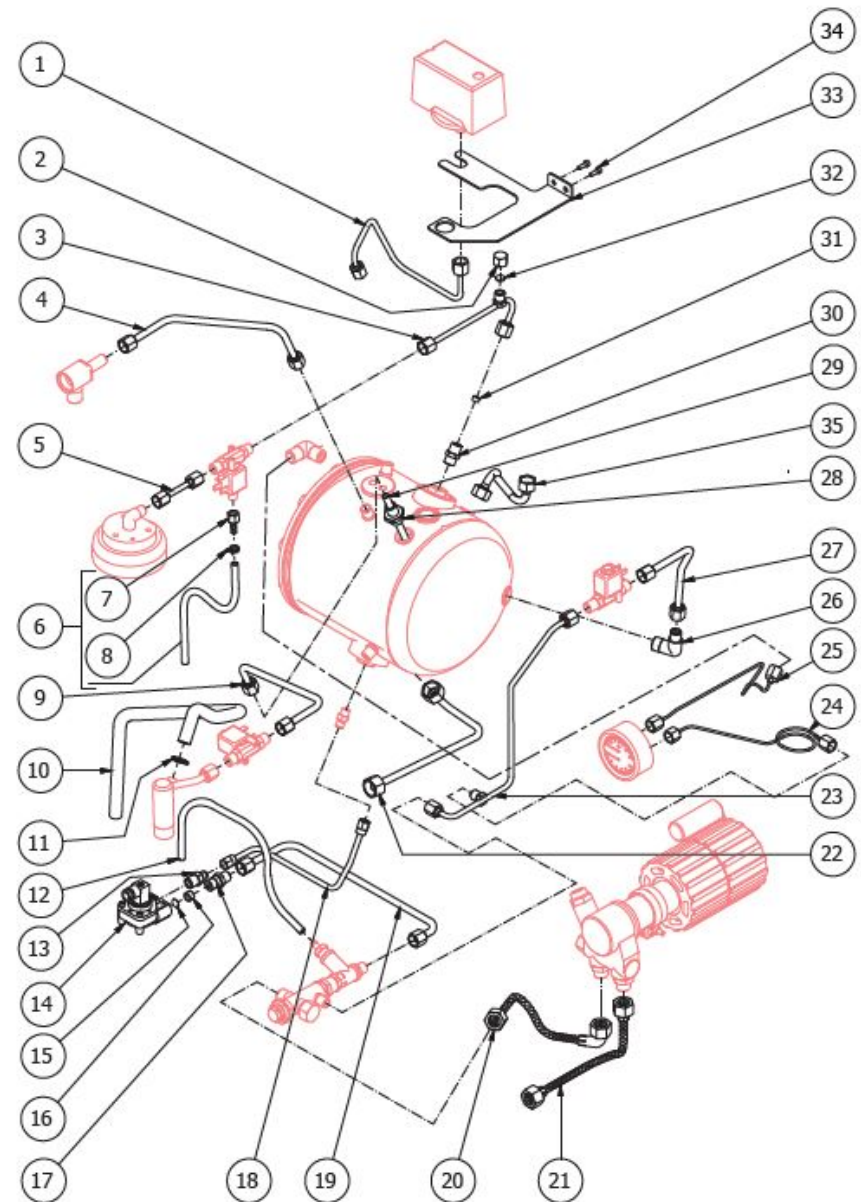


TABLE 11A
B2016 Hose series 2GR

POS	CODE	DESCRIPTION
1	5301506TR	UNION ELBOW M13X1/4
2	5471019	FILTER D8,5X5 AISI304
4	5221813	PLUG M12X1 OT
5	5163286LL	STEAM HOSE SX
6	5492008	GASKET D10 X 2
7	5162328LL	EXCHANGER HOSE SX
8	5162316LL	PIPE FOR GROUP SOLENOID VALVE B2009
9	5194593LL	DRAIN PIPE GROUP SOLENOID VALVE
10	5370313	GROUP E.VALVE DRAIN RUBBER HOLDER
11	7611516	CLAMP 10086
12	5194595	HOSE D15X10 L=500MM SILICONE (1-2GR
13	7611502	CLAMP D14
14	5162351LL	EXCHANGER LOAD 1° HOSE EBB11DE 2GR
15	7431001	FLOW METER + AUT. WITH LED
16	5471001	NET FILTER D11 AISI 304
17	5191501	SPACER D11X8X6.5 PTFE
18	7304510TR	SERTO JUNCTION 1/42G OT
19	5302001	STRAIGHT FITTING 1/4
20	5162352LL	EXCHANGER LOAD 2° HOSE EBB11DE 2GR
21	5194550	HOSE D 8x5 SILICONE L=400 1GR
22	5163294LL	MANIFOLD HOSE
23	7200517	STAINLESS STEEL FLEX 3/8
24	7200512	FLEXIBLE HOSE 3/8x3/8
25	5163290LL	WATER HOSE
26	5192307LL	WATER SAUCTION HOSE D6X1 L=80
27	5163326LL	BOILER DRAIN HOSE
28	5162218LL	INLET AUTOMATIC LEVEL HOSE
29	7400901	PRESSURE GAUGE CAPILLARY
30	7400904	CAPILL.1,27X2,51X800 1/8-M12
31	5301507TR	UNION ELBOW M13X3/8

TABLE 11A
B2016 Hose series 2GR

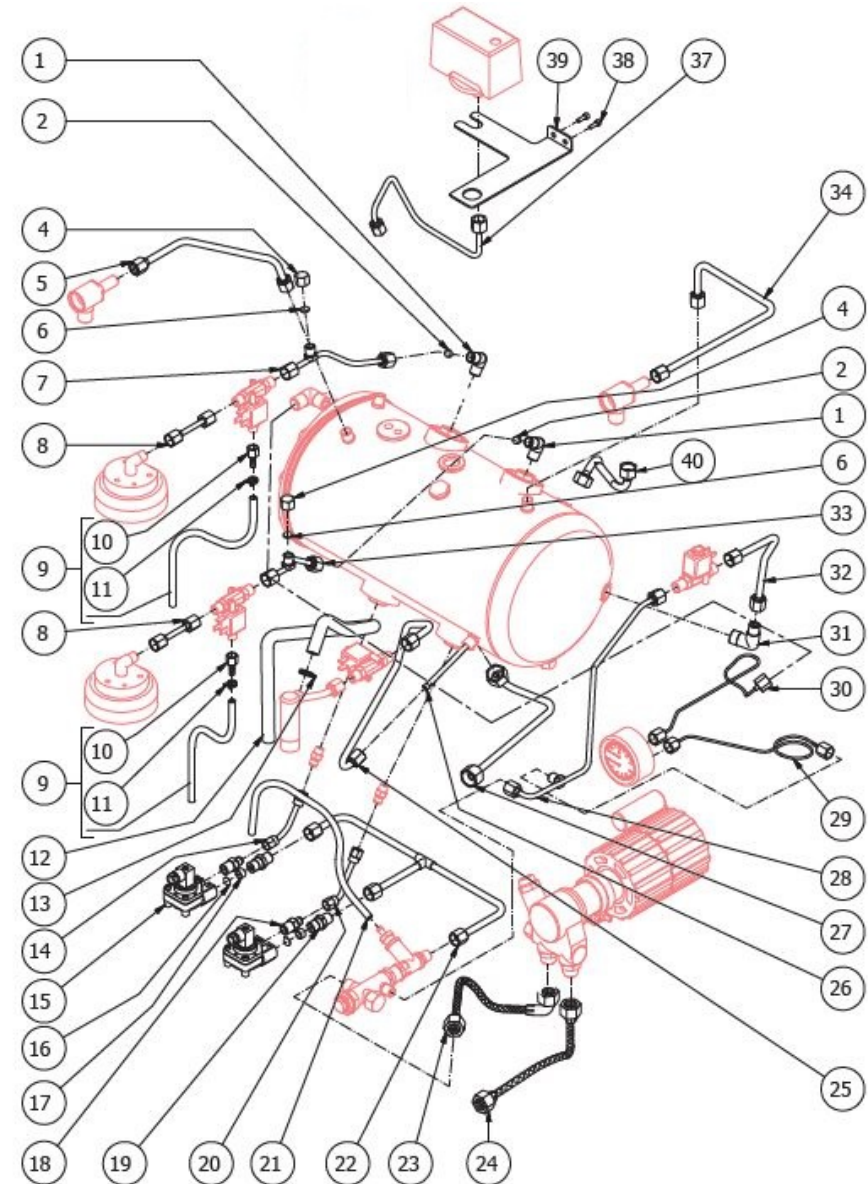


TABLE 11A
B2016 Hose series 2GR

POS	CODE	DESCRIPTION
32	5163288LL	BOILER CHARGE PIPE ELLISSE
33	5162329LL	EXCHANGER PIPE
34	5163296LL	STEAM HOSE
37	5162371LL	PRESSURE SWITCH TUBE B2013 1/2GR
38	7816002	SCREW TCEI M4X12 UNI 5931 A2
39	5037841LL	PRESSURE SWITCH SQUAD W/COMPASSES
40	5164087LL	SAFETY VALVE PIPE

TABLE 11A
B2016 Hose series 2GR

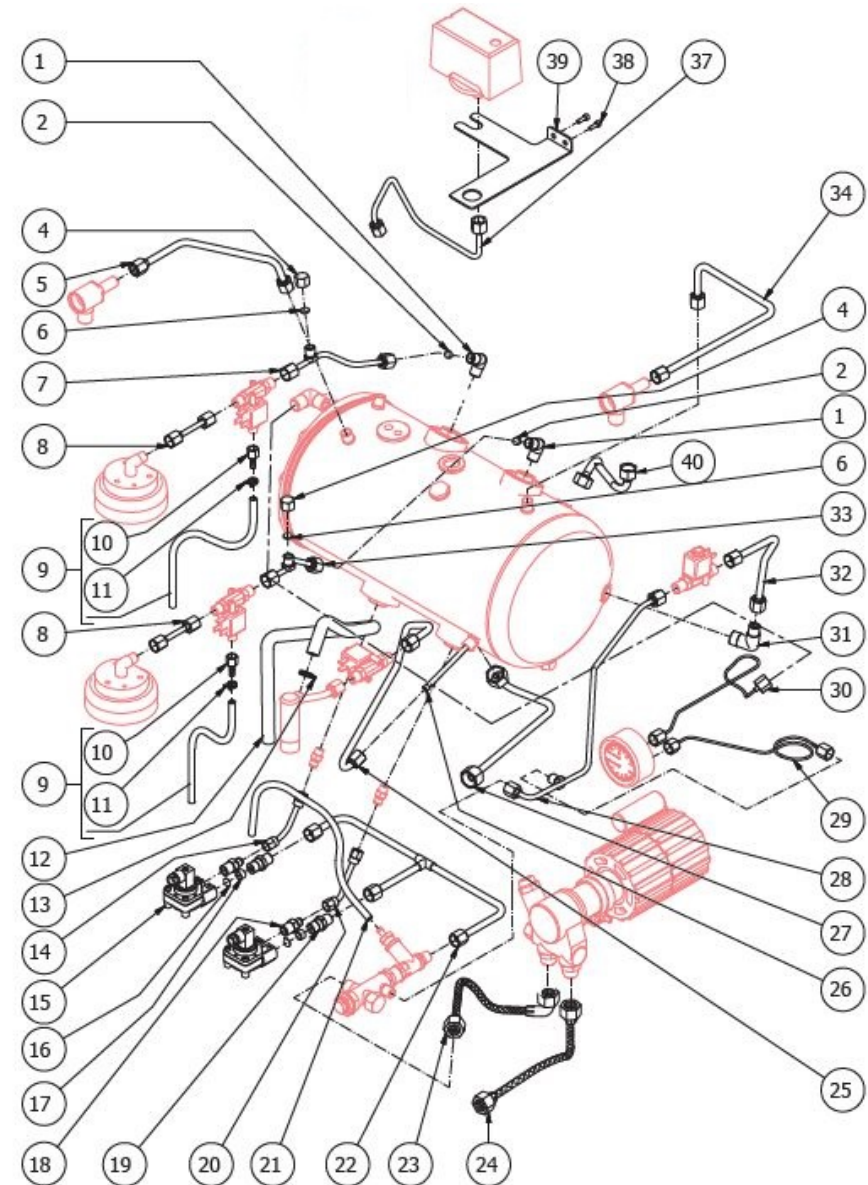


TABLE 11B
B2016 Hose series 3GR

POS	CODE	DESCRIPTION
1	5162377LL	PRESSOSTAT TUBE B2013 3GR
2	5221813	PLUG M12X1 OT
3	5471019	FILTER D8,5X5 AISI304
4	5492008	GASKET D10 X 2
5	5163303LL	STEAM TAP TUBE SX 3GR
6	5162328LL	EXCHANGER HOSE SX
7	5162316LL	PIPE FOR GROUP SOLENOID VALVE B2009
8	5194593LL	DRAIN PIPE GROUP SOLENOID VALVE
9	5370313	GROUP E.VALVE DRAIN RUBBER HOLDER
10	7611516	CLAMP 10086
11	5162329LL	EXCHANGER PIPE
12	5194593LL	DRAIN PIPE GROUP SOLENOID VALVE
13	5162353LL	EXCHANGER LOAD HOSE
14	7304510TR	SERTO JUNCTION 1/42G OT
15	7431001	FLOW METER + AUT. WITH LED
16	5471001	NET FILTER D11 AISI 304
17	5191501	SPACER D11X8X6.5 PTFE
18	7303039	FITTING
19	5194532	D8 X 1.5 SILICONE HOSE
20	5302001	STRAIGHT FITTING 1/4
21	5162355LL	EXCHANGER LOAD HOSE
22	5194551	HOSE D 8x5 SILICONE L=450 1GR
23	5163299LL	COLLECTOR TUBE 3GR DE
24	7200517	STAINLESS STEEL FLEX 3/8
25	7200512	FLEXIBLE HOSE 3/8x3/8
26	5162354LL	EXCHANGER LOAD HOSE
27	5162336LL	EXCHANGER HOSE RIGHT
28	5194618	HOSE D15X10 L=600MM SILICONE X3GR
29	7611502	CLAMP D14
30	5163290LL	WATER HOSE

TABLE 11B
B2016 Hose series 3GR

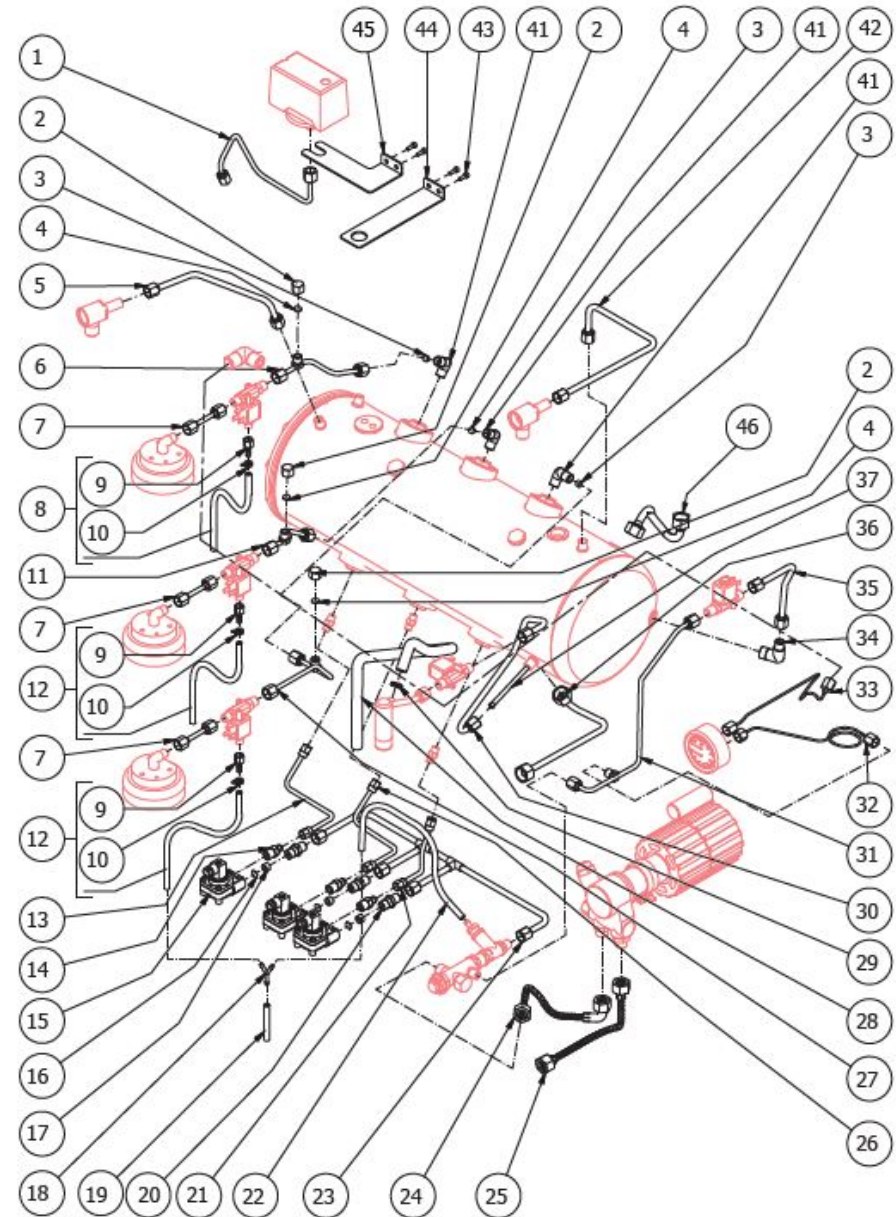
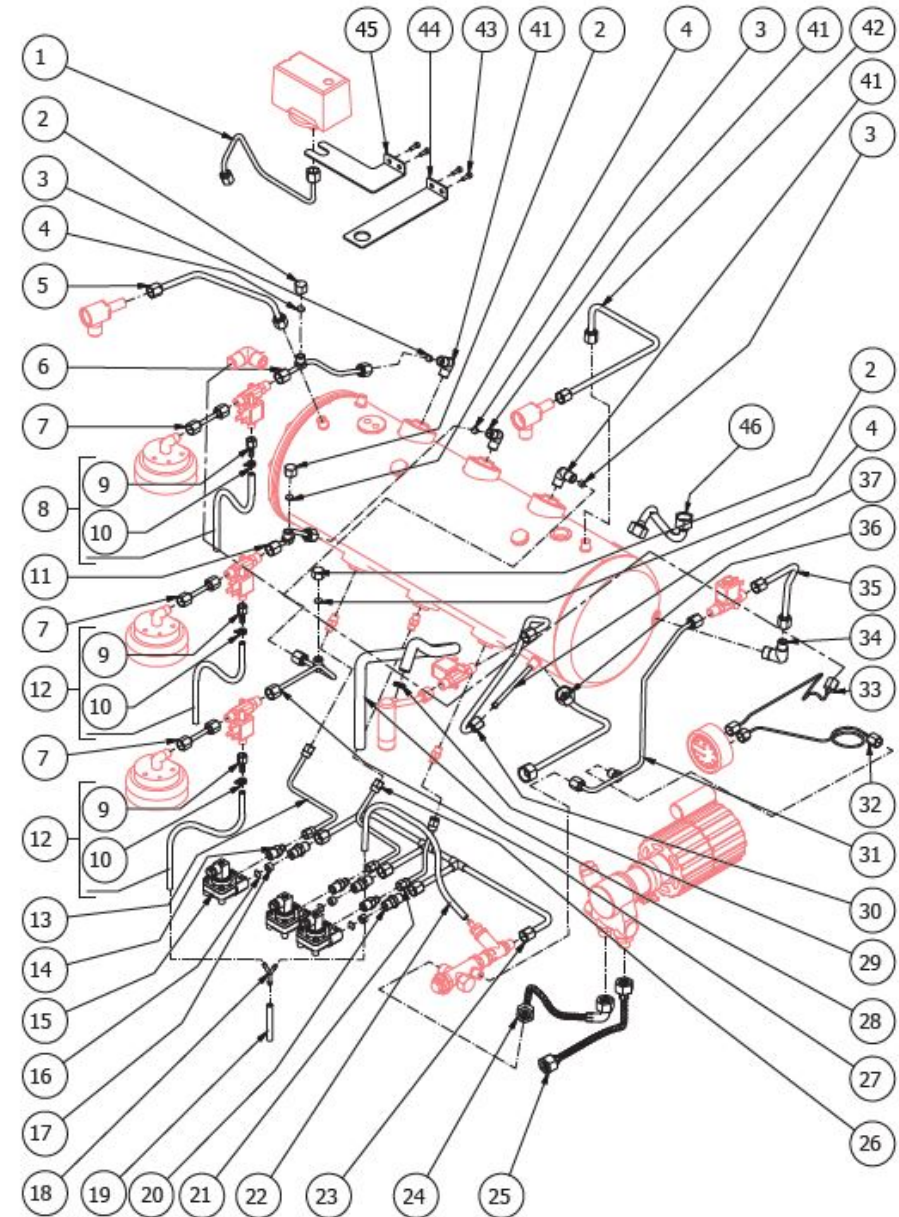


TABLE 11B
B2016 Hose series 3GR

POS	CODE	DESCRIPTION
31	5162218LL	INLET AUTOMATIC LEVEL HOSE
32	7400901	PRESSURE GAUGE CAPILLARY
33	7400907	CAPILLARY 1,27X2,51X950 1/8-M12
34	5301507TR	UNION ELBOW M13X3/8
35	5163288LL	BOILER CHARGE PIPE ELLISSE
36	5163326LL	BOILER DRAIN HOSE
37	5192307LL	WATER SAUCTION HOSE D6X1 L=80
41	5301506TR	UNION ELBOW M13X1/4
42	5163296LL	STEAM HOSE
43	7816002	SCREW TCEI M4X12 UNI 5931 A2
44	5037843LL	BOILER ANCHOR SUPPORT 3GR W/COMPASS
45	5037844LL	PRESSOSTAT SUPPORT
46	5164087LL	SAFETY VALVE PIPE

TABLE 11B
B2016 Hose series 3GR





G. BEZZERA S.R.L.
MACCHINE PER CAFFE' ESPRESSO
Via Luigi Bezzera, 1
20088 Rosate - Milano - Italy
Tel. ++39 02 90848102 r.a. - Telefax ++39 02 90870287
Web: www.bezzera.com
e-mail: admin@bezzera.it